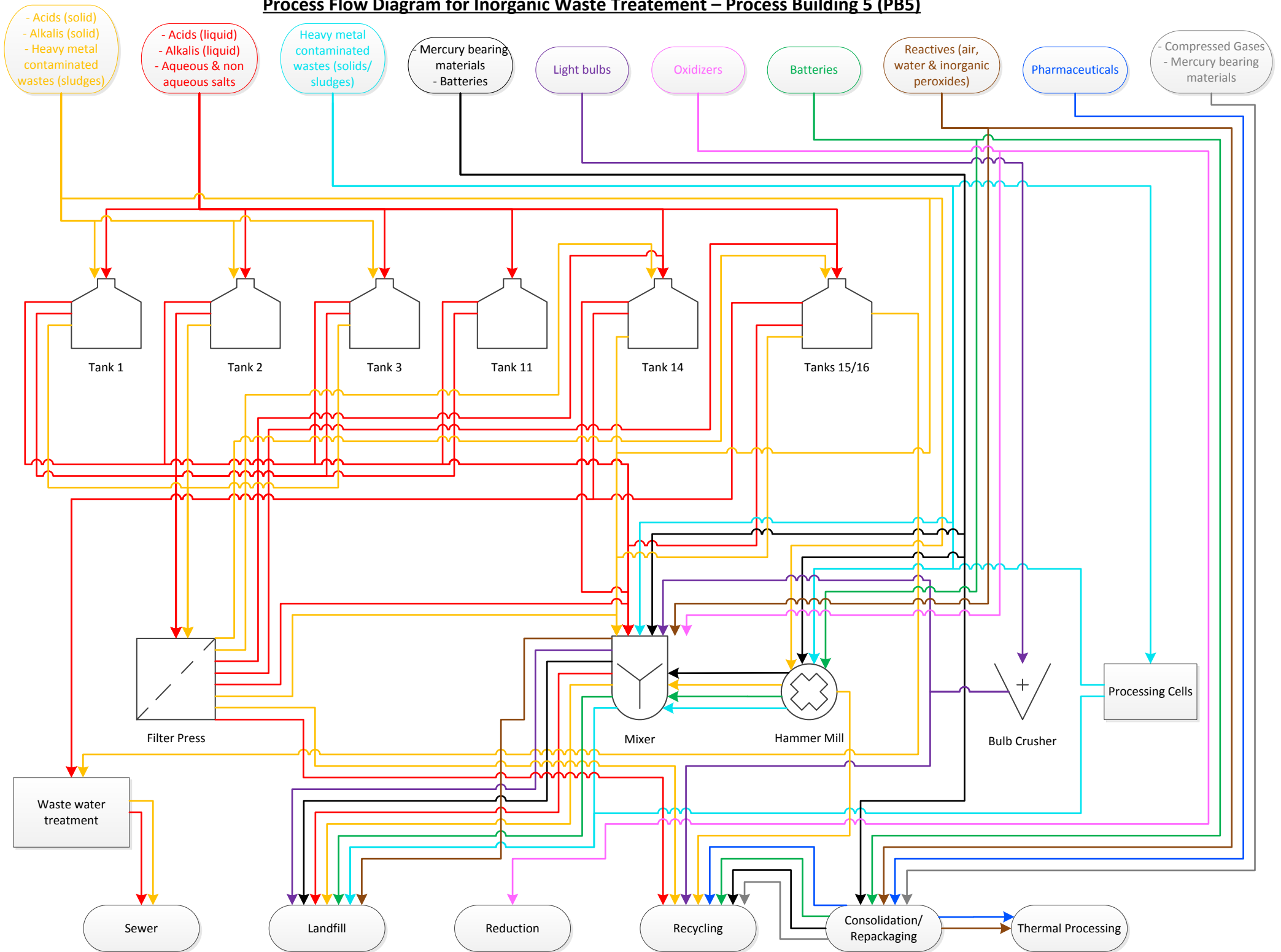
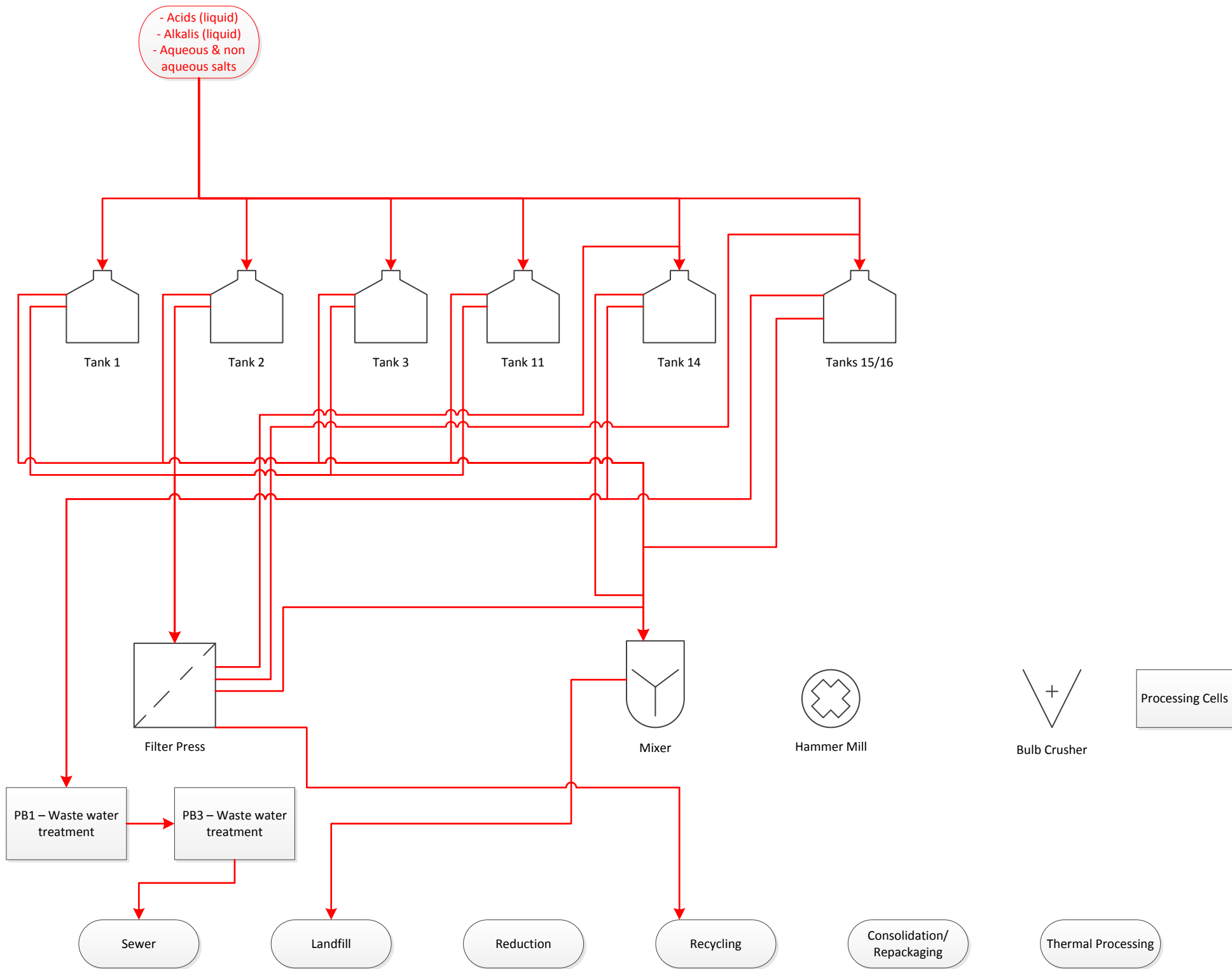


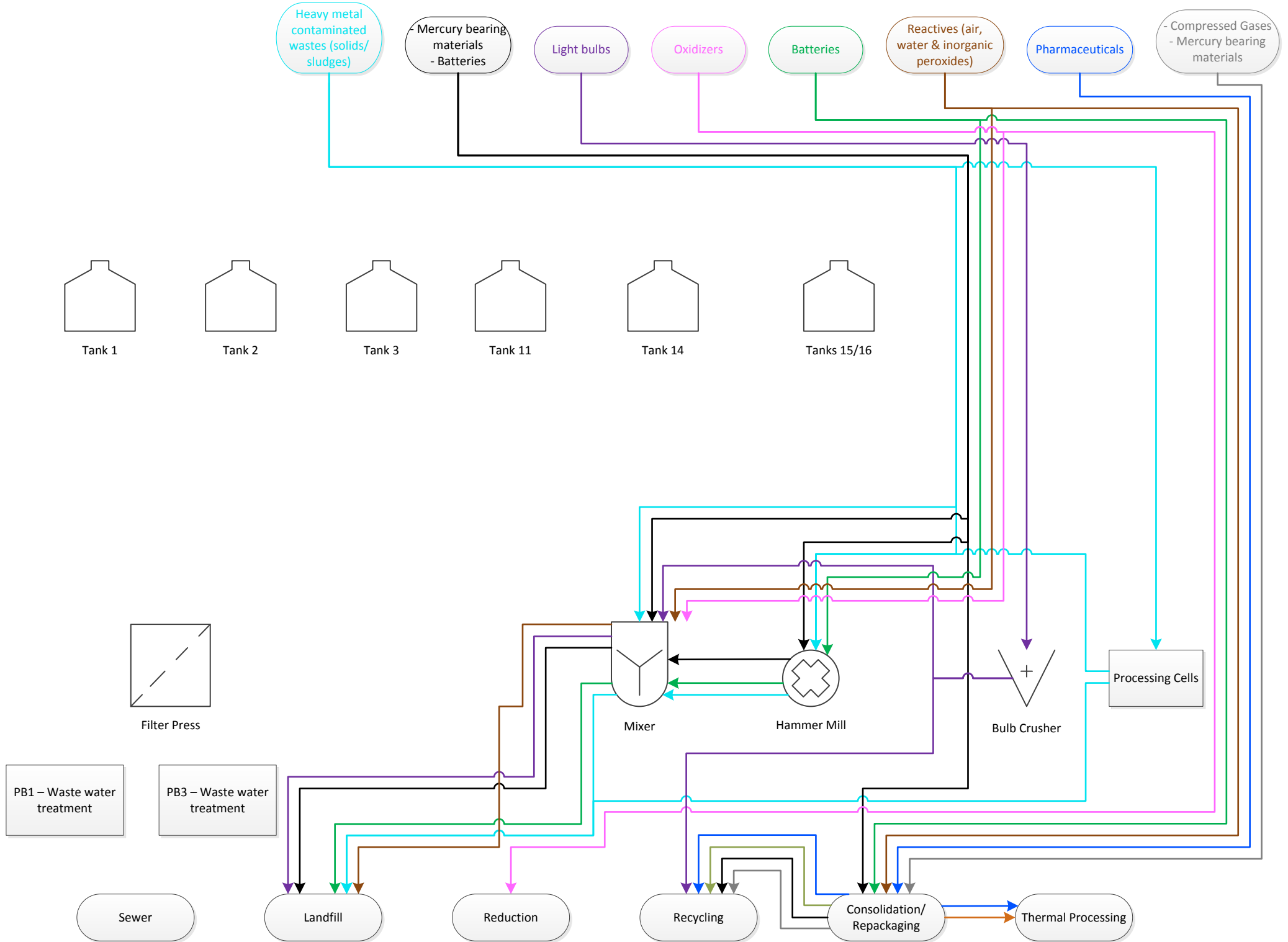
Process Flow Diagram for Inorganic Waste Treatment – Process Building 5 (PB5)



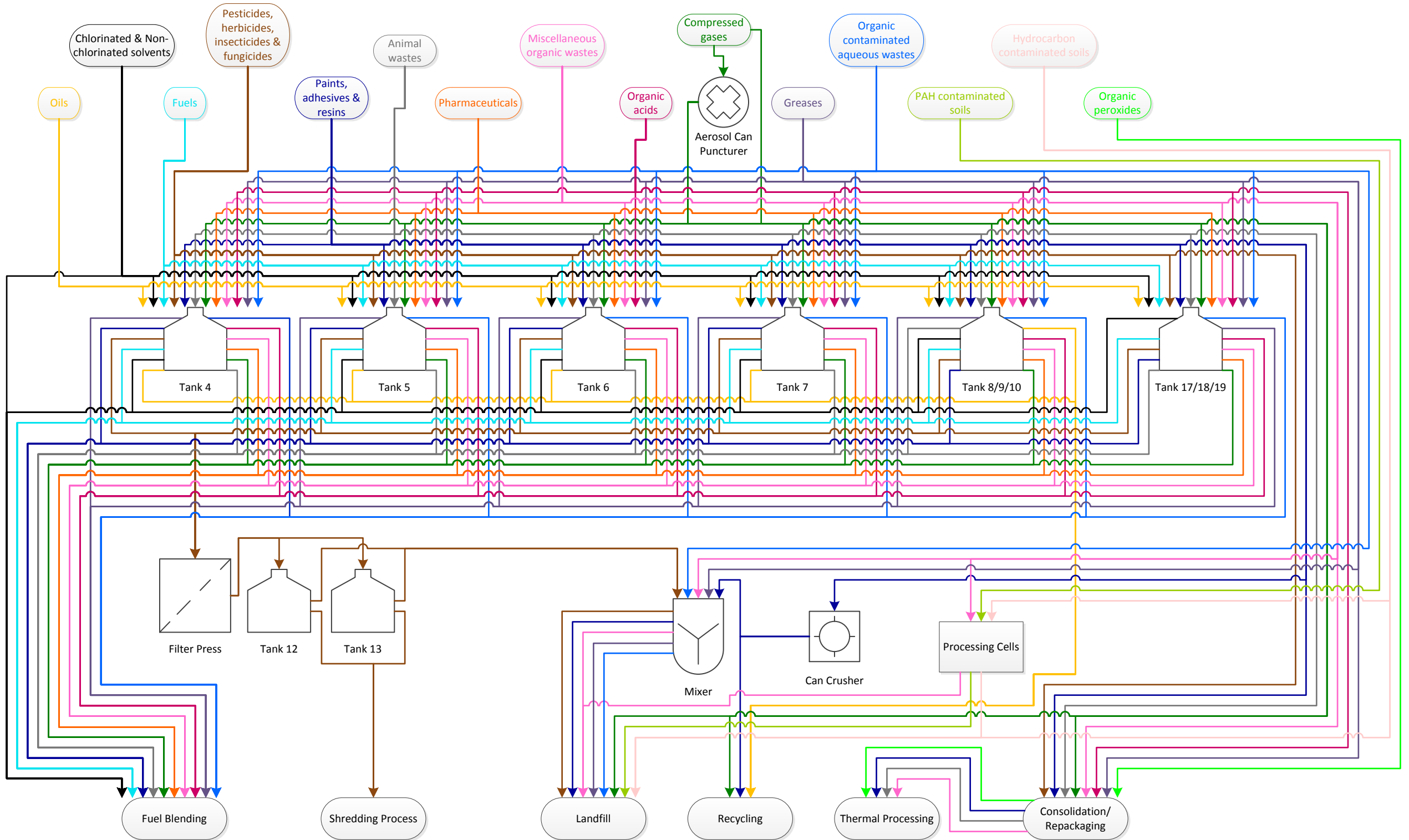
Process Flow Diagram for Inorganic Waste Treatment – Process Building 5 (PB5)



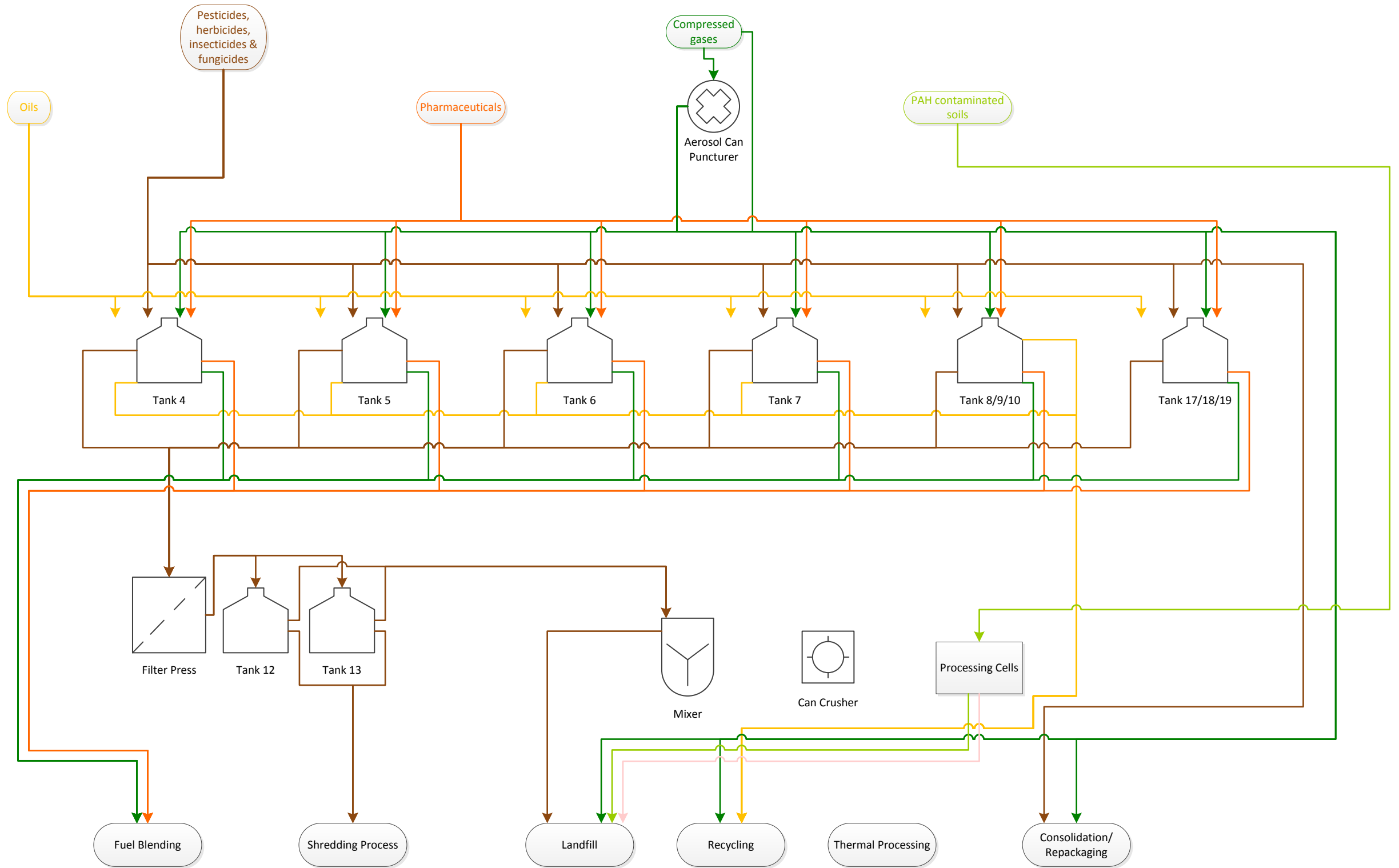
Process Flow Diagram for Inorganic Waste Treatment – Process Building 5 (PB5)



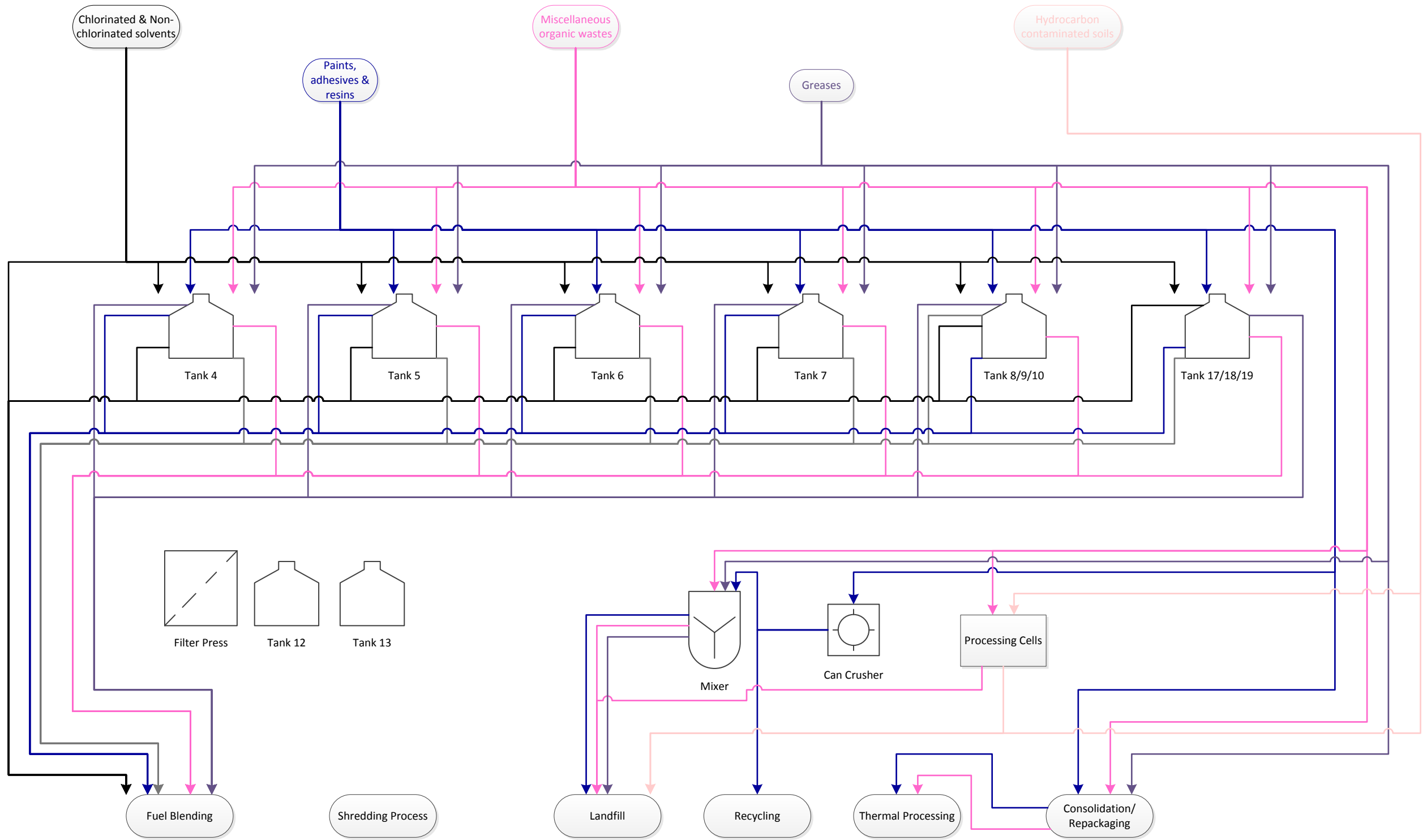
Process Flow Diagram for Organic Waste Treatment – Process Building 1 (PB1)



Process Flow Diagram for Organic Waste Treatment – Process Building 1 (PB1)



Process Flow Diagram for Organic Waste Treatment – Process Building 1 (PB1)



Process Flow Diagram for Organic Waste Treatment – Process Building 1 (PB1)

