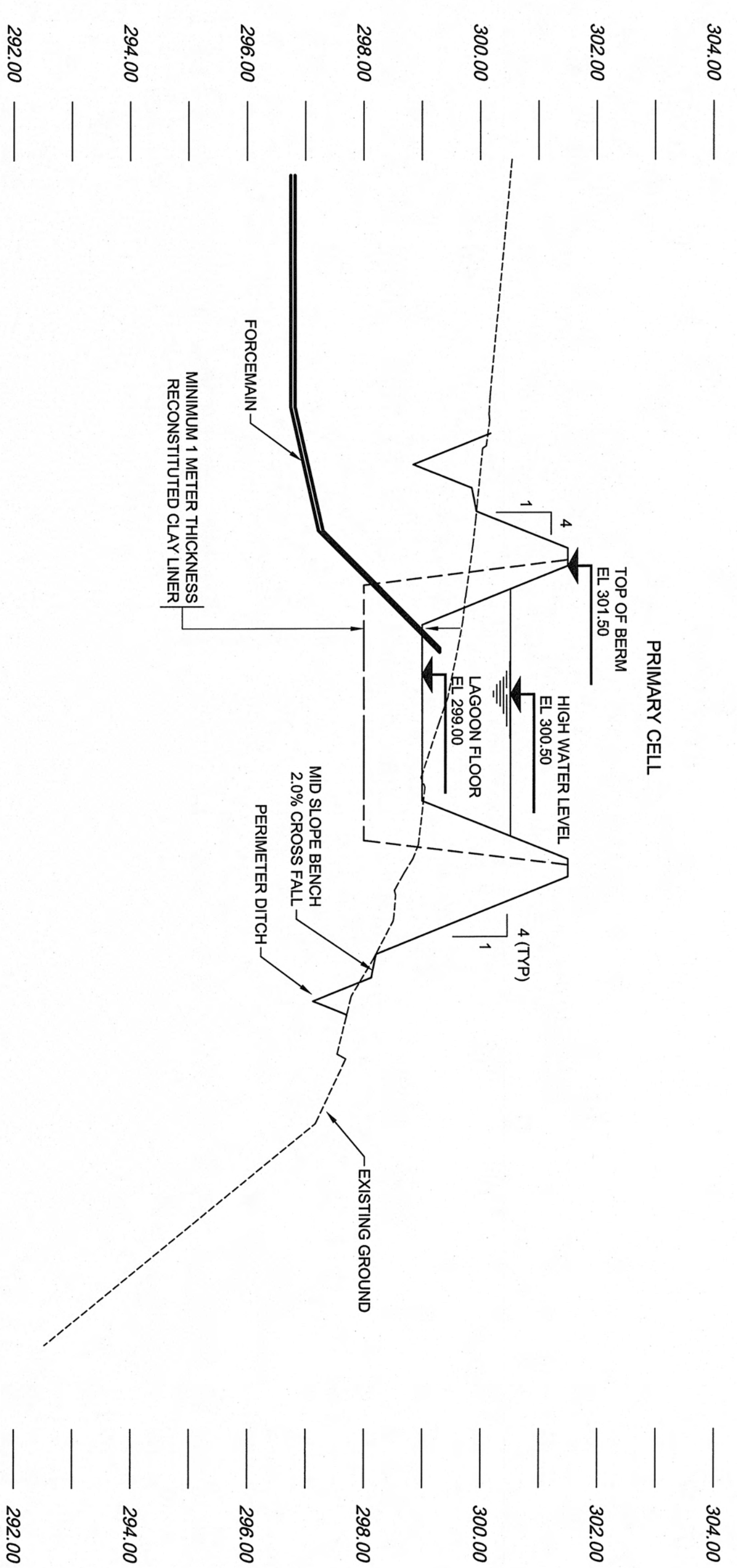
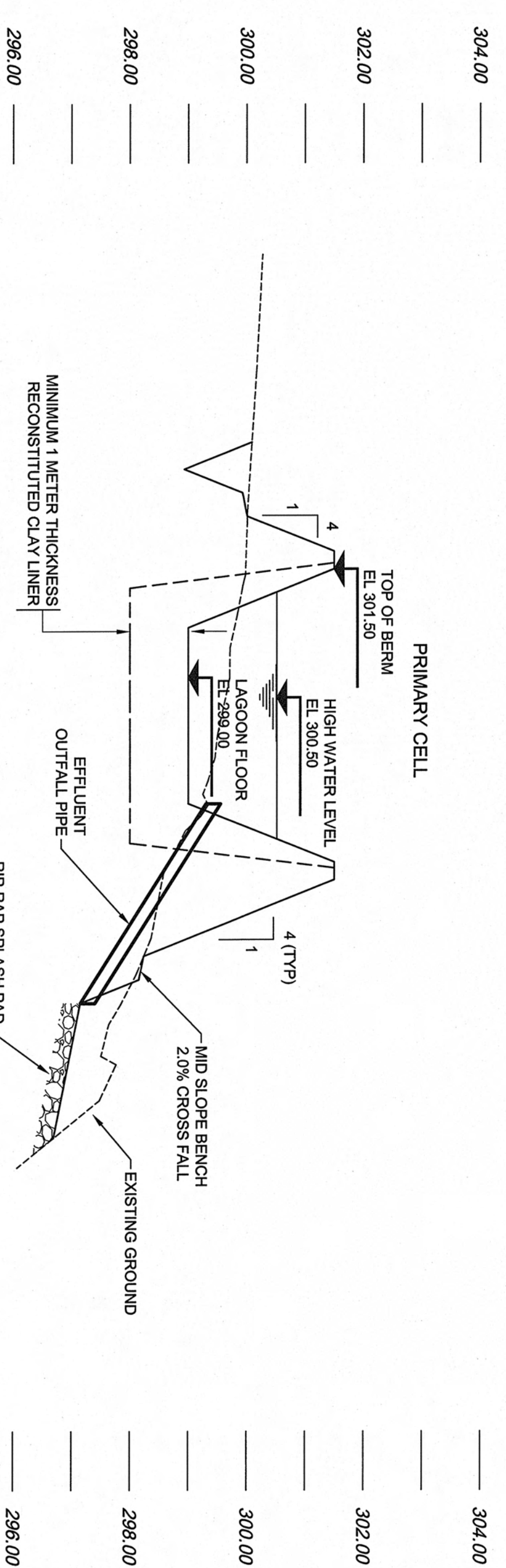


**A SECTION**  
C-004 | Scale H= 1:7500 V=1:750



**B SECTION**  
C-004 | Scale H= 1:7500 V=1:750



**C SECTION**  
C-004 | Scale H= 1:7500 V=1:750

SCALE	DRAWING NUMBER	REFERENCE DRAWINGS	DRAWING TITLE
-------	----------------	--------------------	---------------

REV.	DATE	DESCRIPTION	BY	CHKD.	APP.
0A	2012-12-14	ISSUED FOR 67% DESIGN	KLC	DBI	DB

DRAWN:	DESIGNED:	CHECKED:	SCALE:
KLC	KLC	AS NOTED	AS NOTED

DATE:	DATE:

DRAWING NUMBER	SHEET	REVISION
9-99999-NN-99999-9999	0001	0A

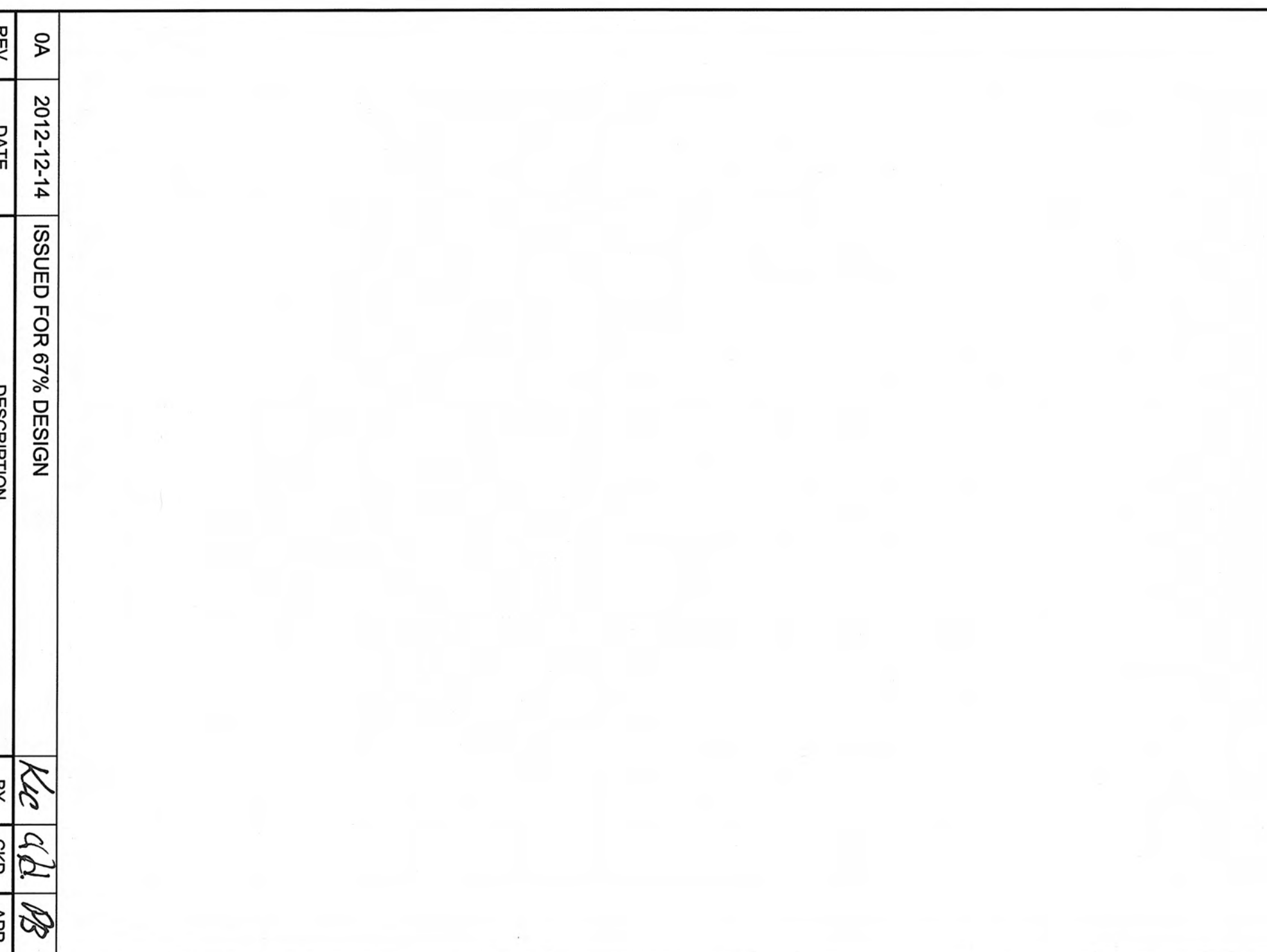
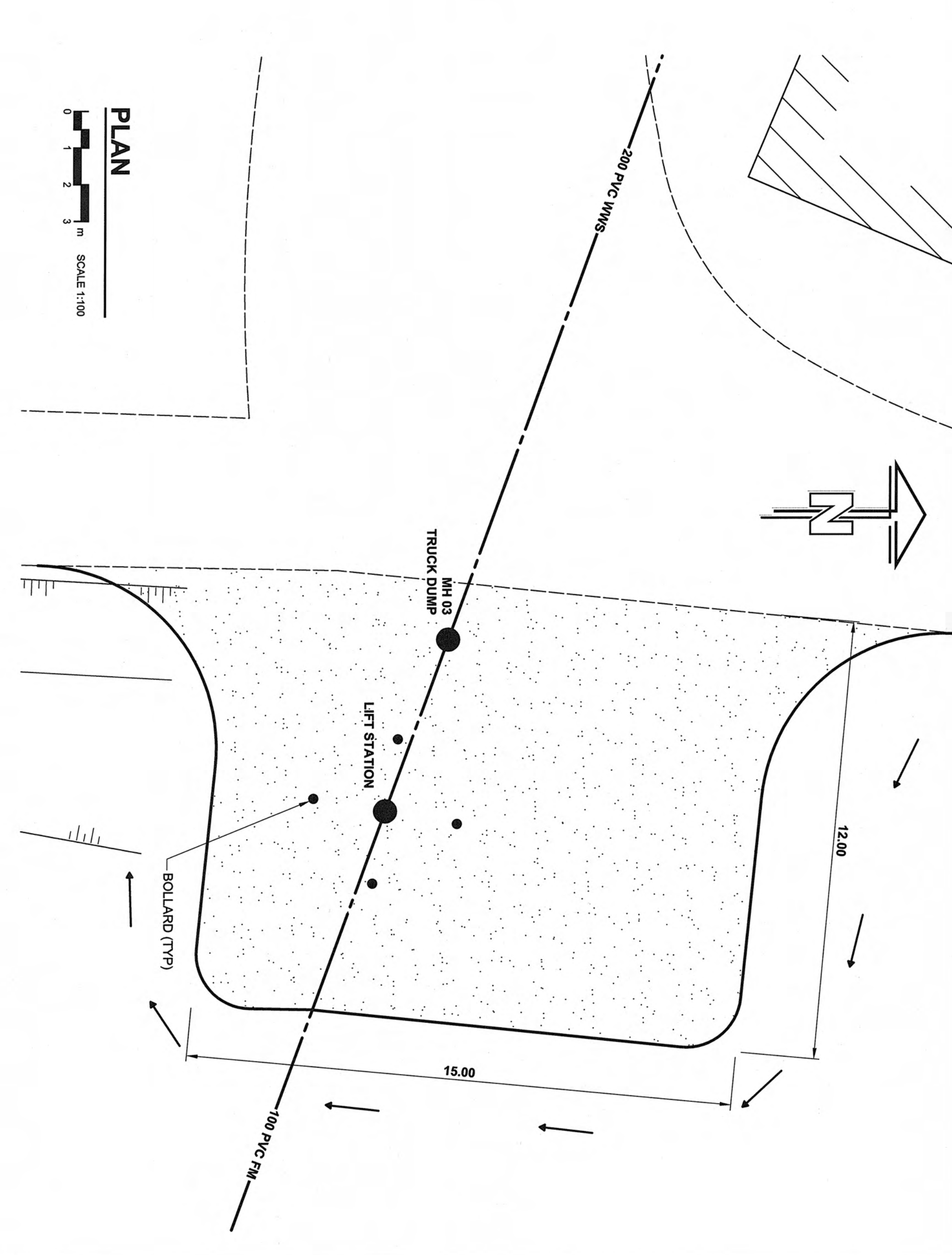
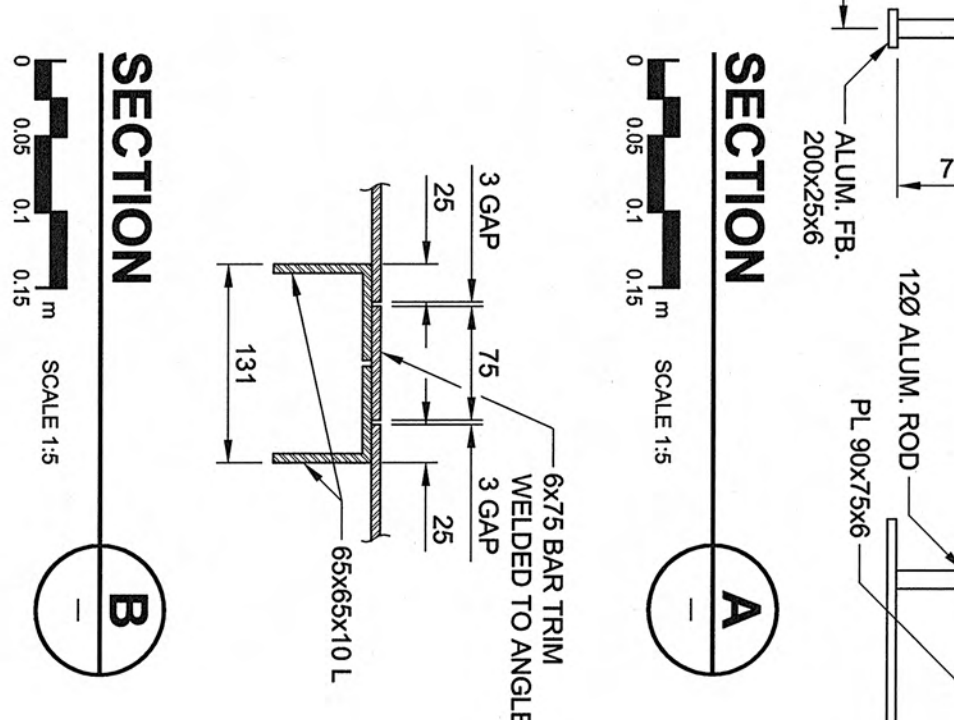
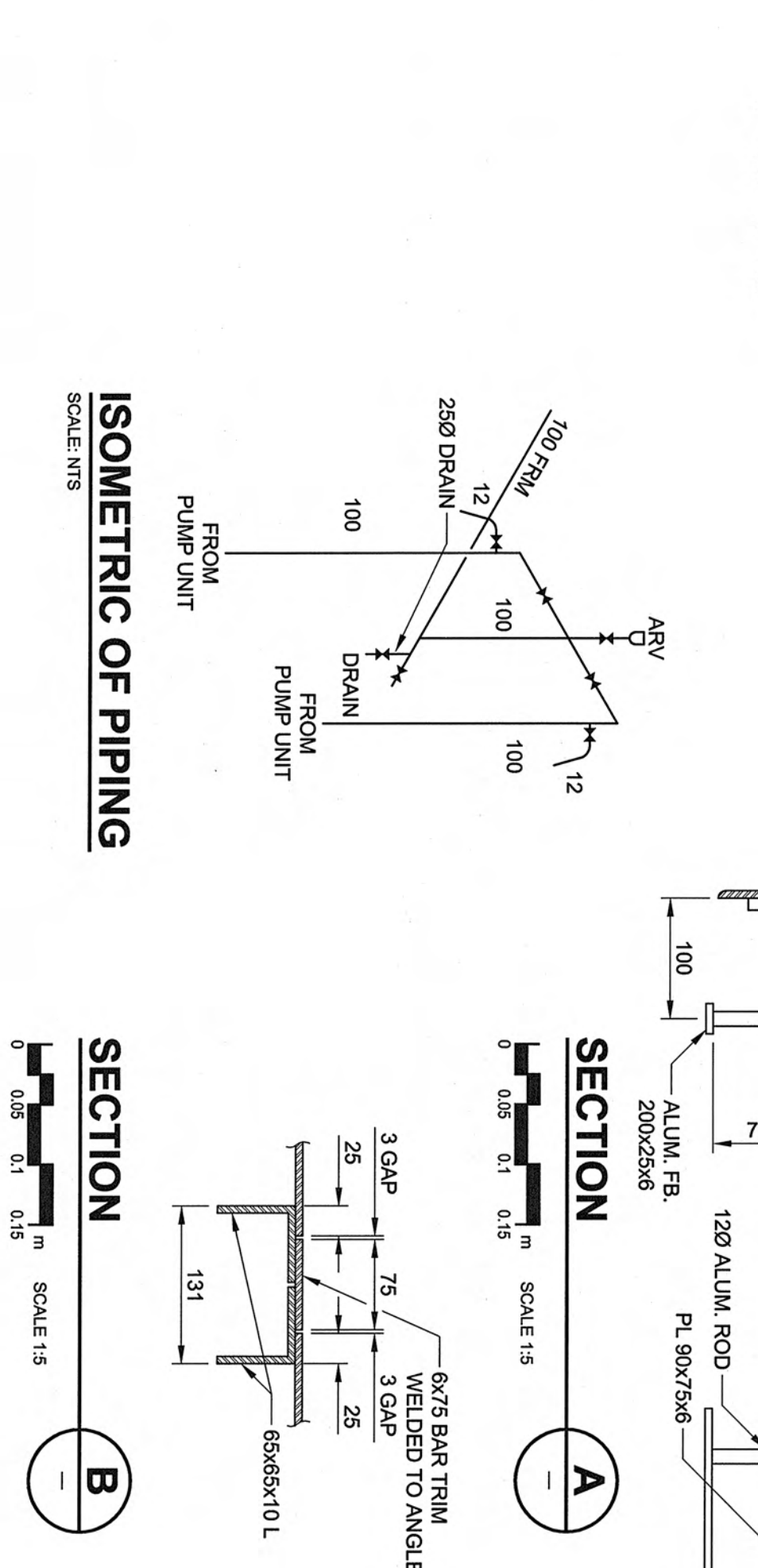
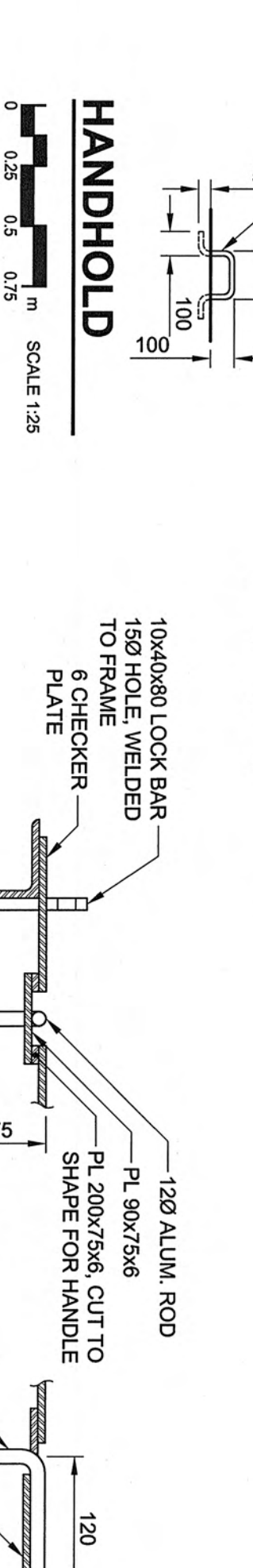
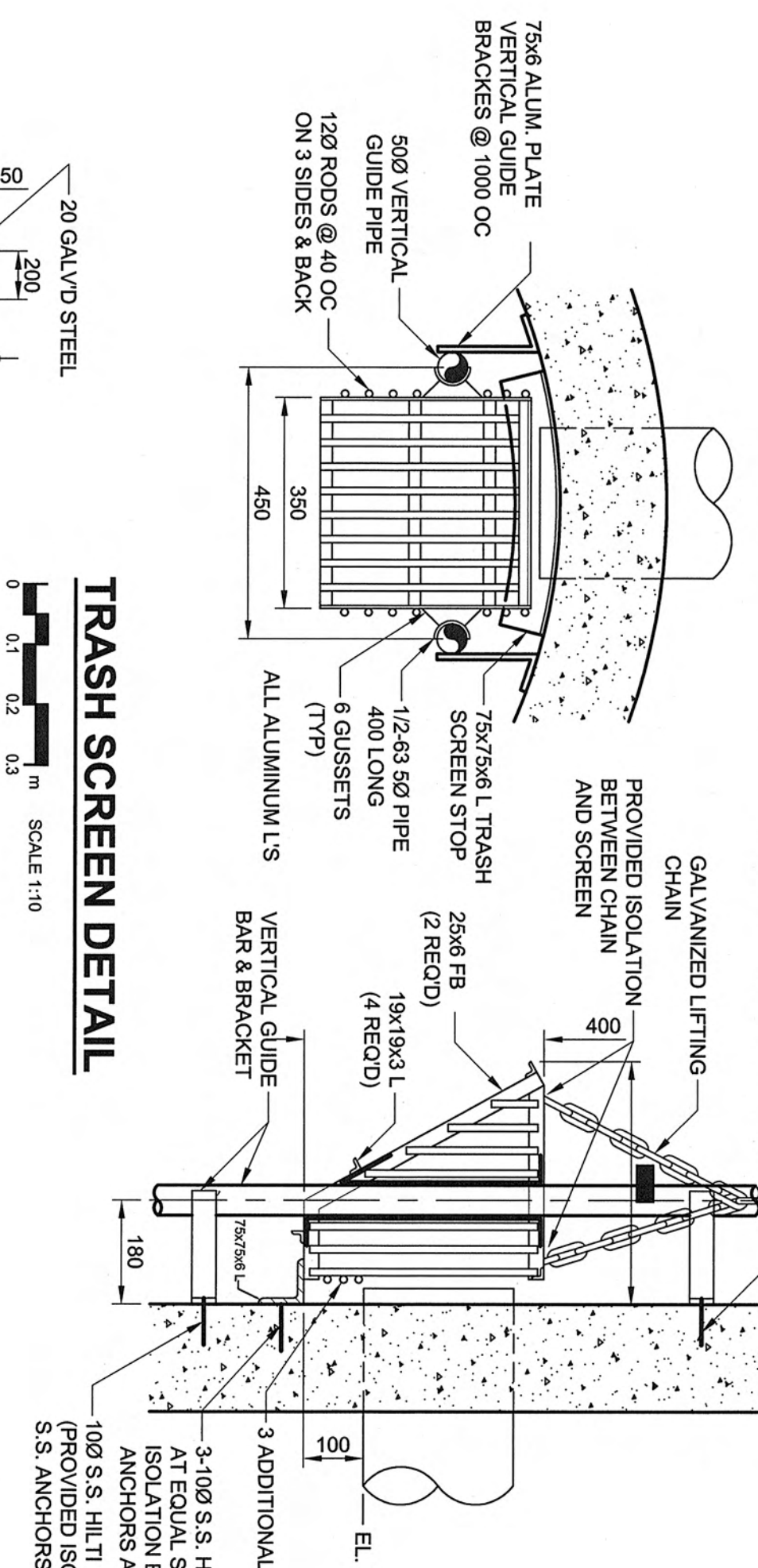
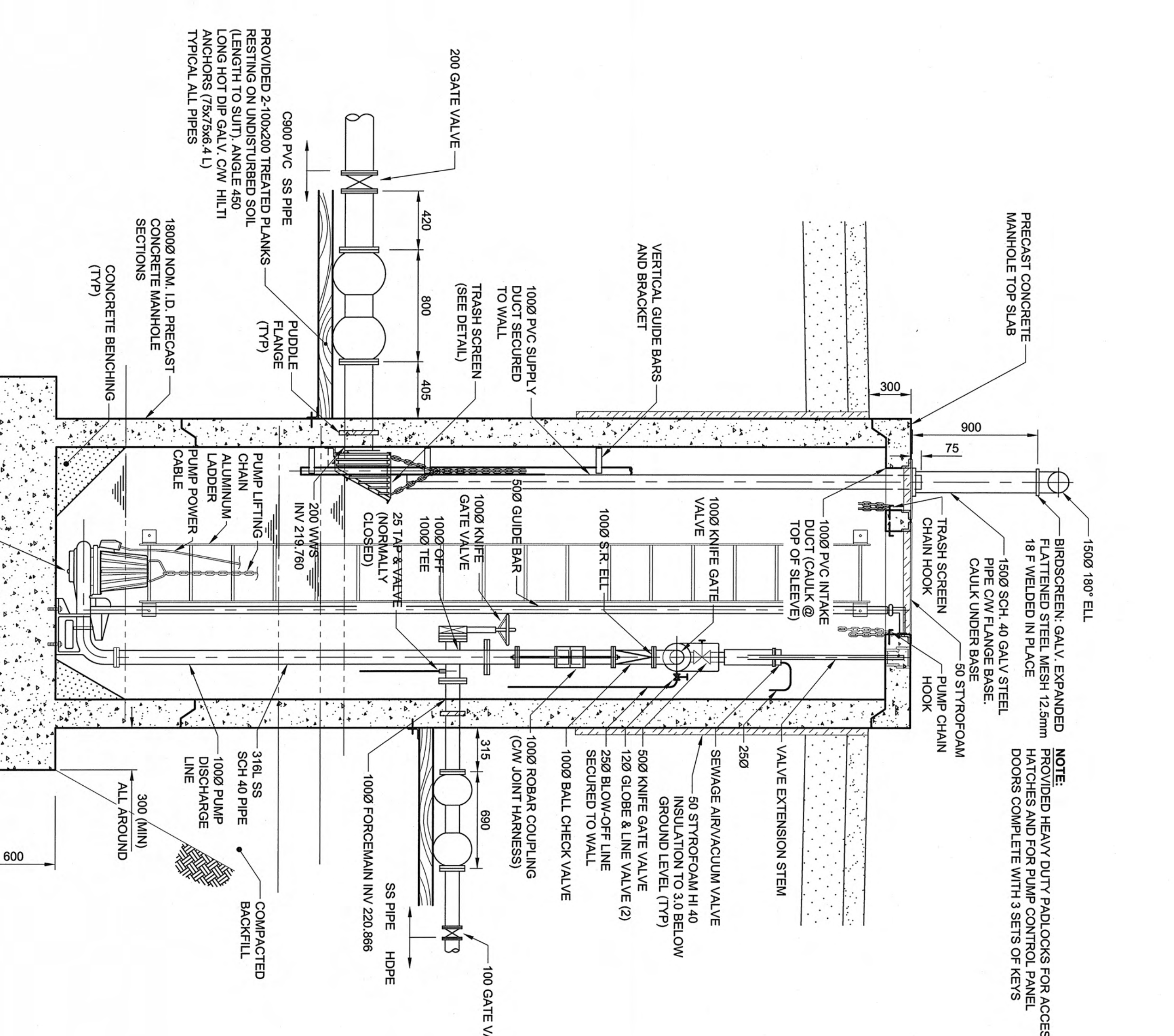
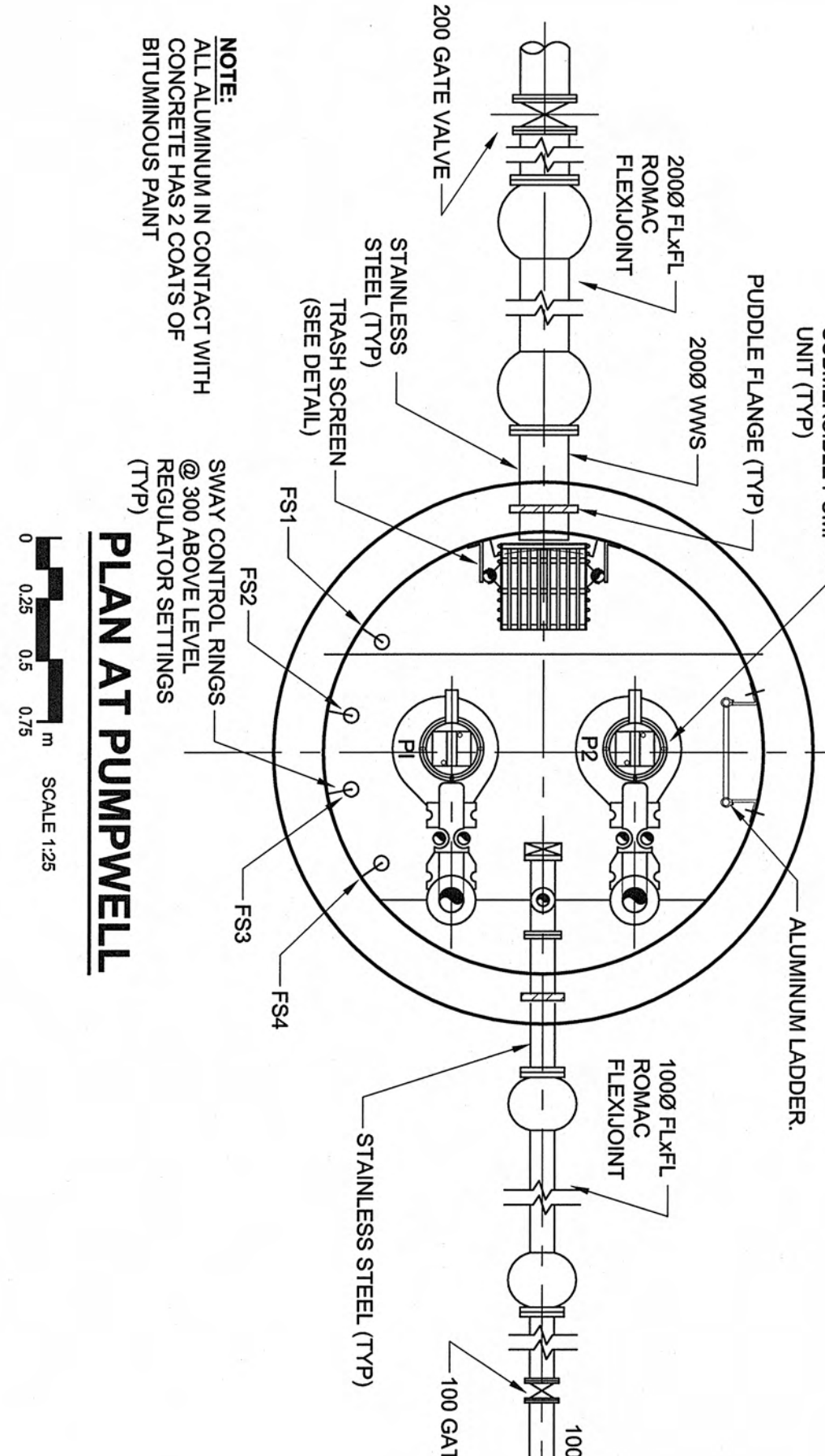
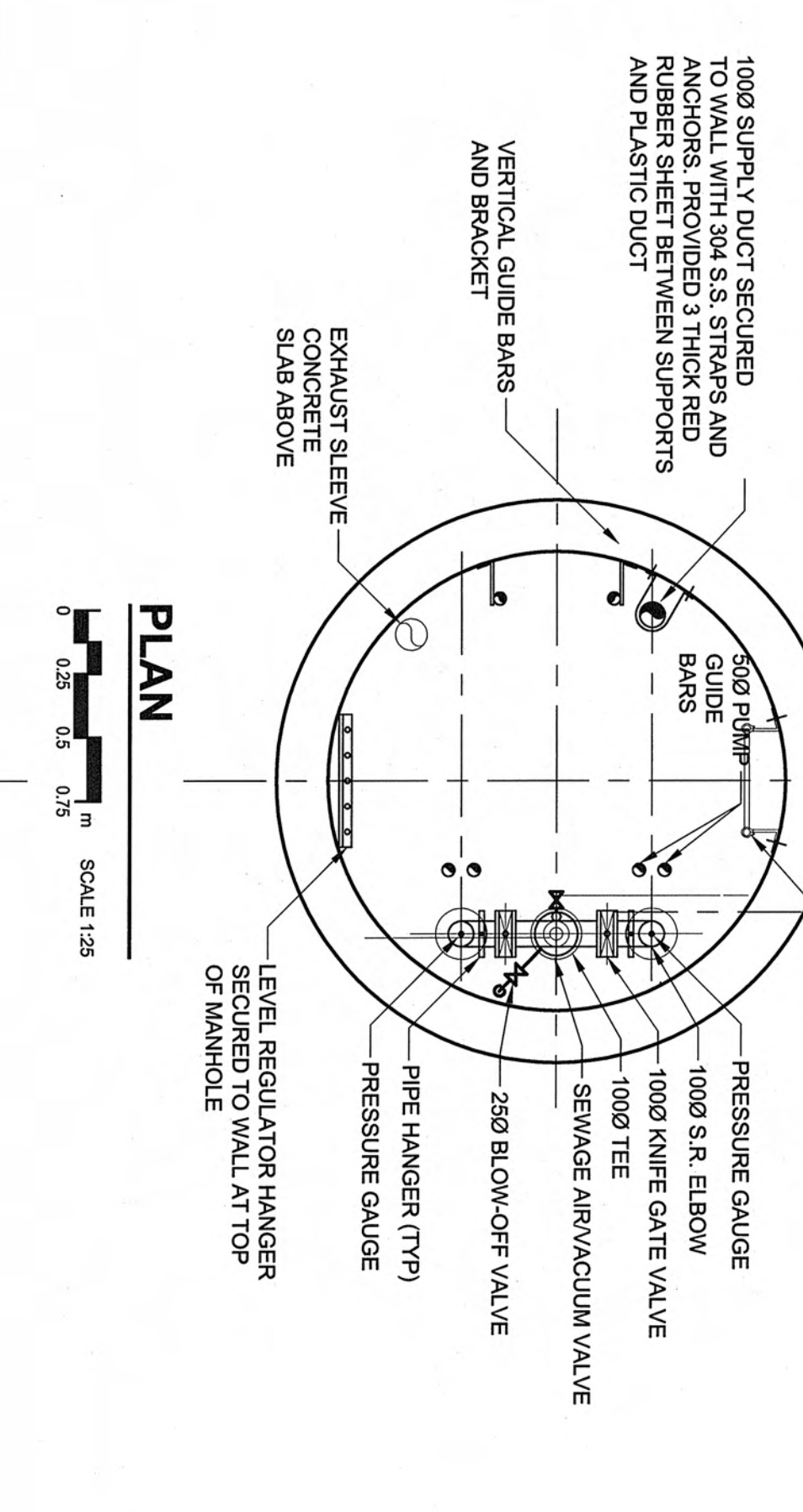
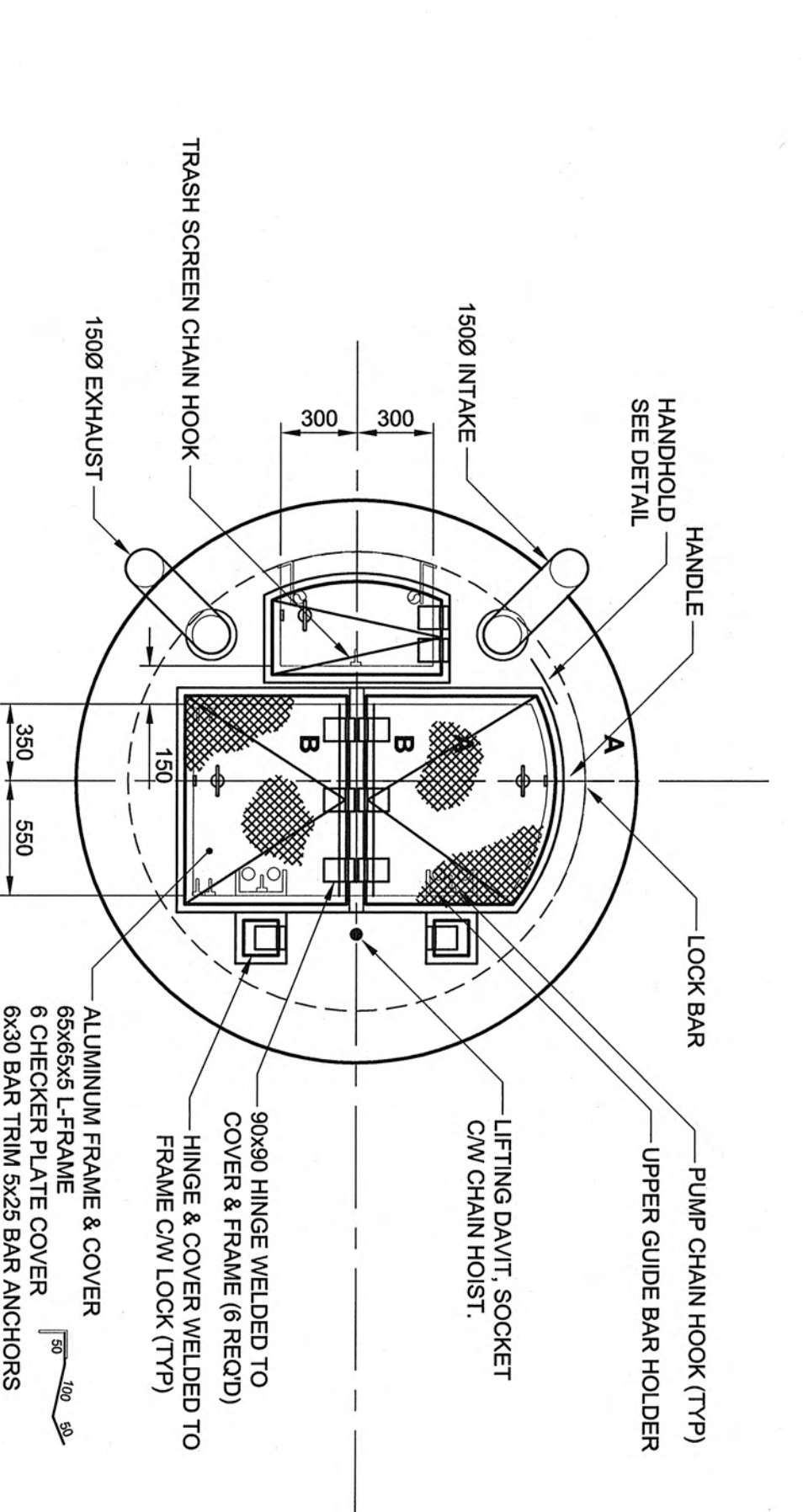
LAURIE RIVER GENERATING STATIONS 1 & 2
MAIN CAMP
SEWER AND WATER UPGRADES
LAGOON SECTIONS

**AECOM**

**Metric**  
WHOLE NUMBERS AND ONE-TENTH NUMBERS  
DECIMAL NUMBERS INDICATE METERS

This Drawing Prepared By: AECOM

This document is the exclusive property of AECOM and is not to be distributed, copied, or used for any other project without the written consent of AECOM. AECOM shall not be held responsible for any errors or omissions in this drawing. AECOM shall not be held responsible for any damages, including consequential damages, arising from the use of this drawing.



**AECOM**

**Hydro**

**LAURIE RIVER GENERATING STATIONS 1 & 2**

**SEWER AND WATER UPGRADES**

**SECTION 1 & 2**