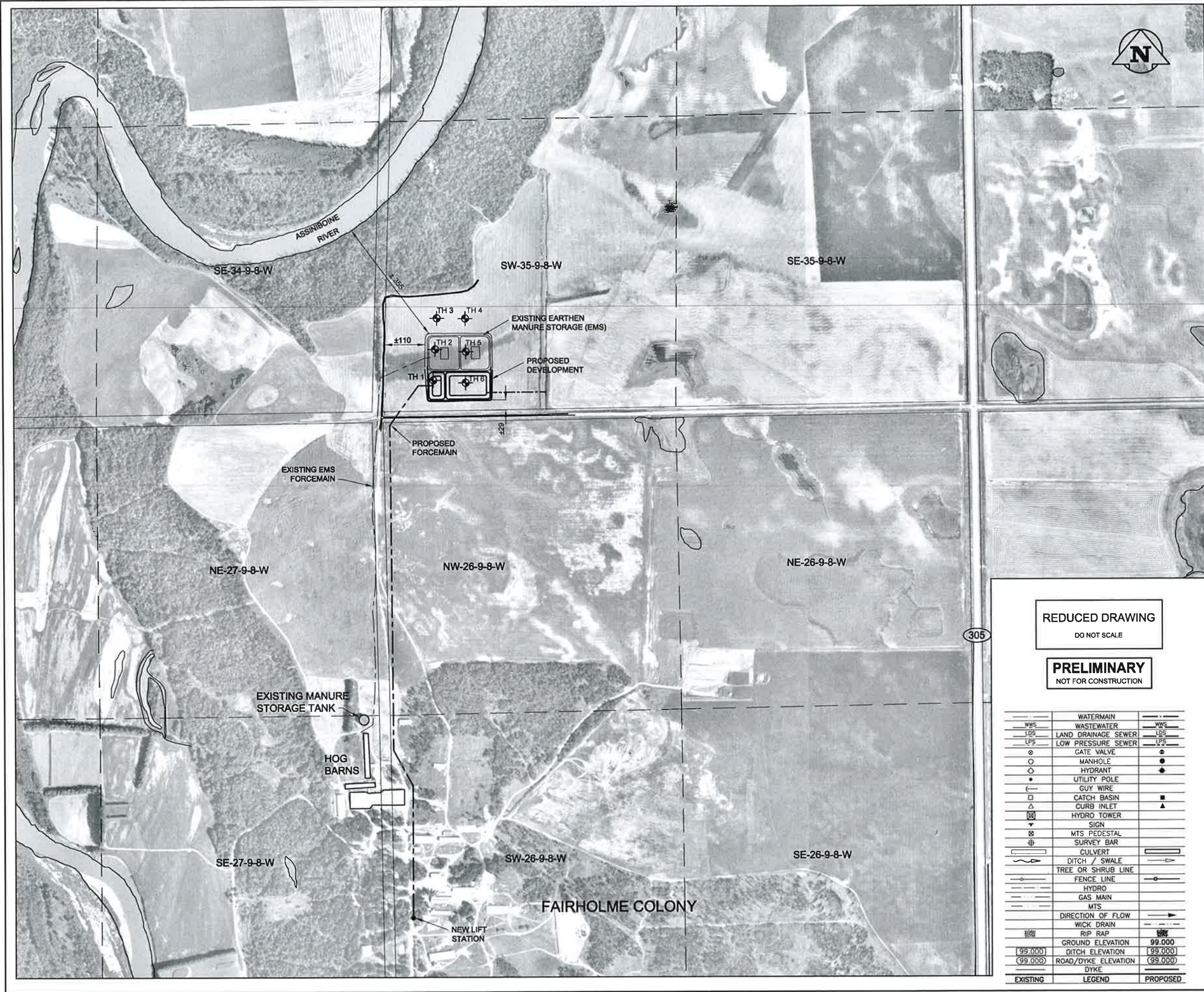


APPENDIX C

Plans and Details



CONSULTANT:

 SEAL:



CLIENT:

 FAIRHOLME COLONY

CLIENT REF. #:
 PROJECT:

 FAIRHOLME COLONY WWSP

KEY PLAN:

 DISCLAIMER: THIS DRAWING AND DESIGN IS COPYRIGHT PROTECTED WHICH SHALL NOT BE USED, REPRODUCED OR INCORPORATED WITHOUT WRITTEN PERMISSION BY GENIVAR. THE CONTRACTOR SHALL CHECK AND VERIFY ALL DIMENSIONS AND EXISTING CONDITIONS AND REPORT ALL DISCREPANCIES AND CHANGES PRIOR TO COMMENCING WORK. THIS DRAWING IS NOT TO BE SCALED.

ISSUED FOR - REVISION:

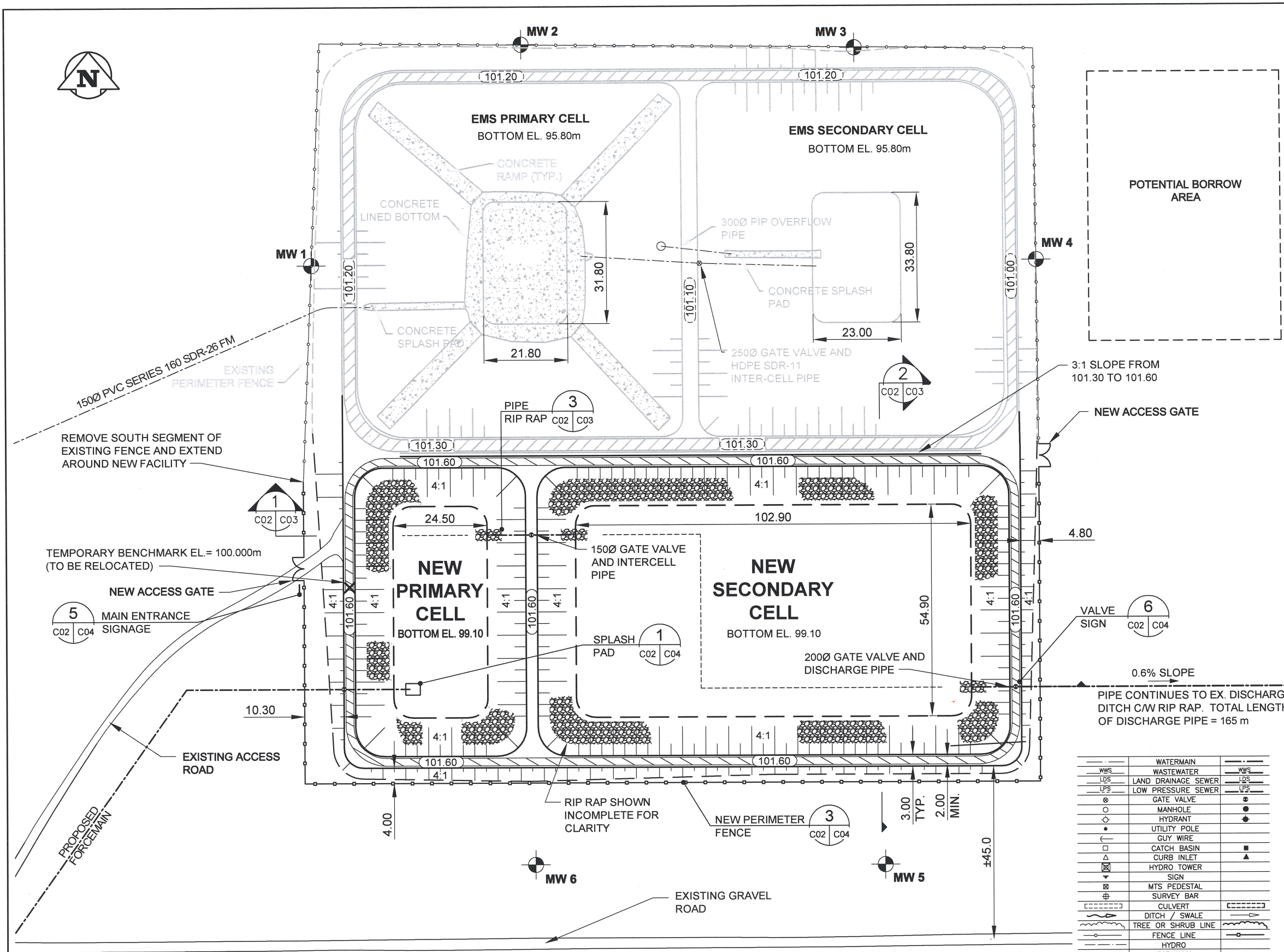
NO.	DATE	DESCRIPTION
1	2013/05/31	EAP SUBMISSION

REDUCED DRAWING
 DO NOT SCALE

PRELIMINARY
 NOT FOR CONSTRUCTION

EXISTING	LEGEND	PROPOSED
---	WATERMAIN	---
---	WASTEWATER	---
---	LAND DRAINAGE SEWER	---
---	LOW PRESSURE SEWER	---
⊙	GATE VALVE	⊙
○	MANHOLE	○
○	HYDRANT	○
*	UTILITY POLE	*
—	GUY WIRE	—
□	CATCH BASIN	□
△	CURB INLET	△
⊠	HYDRO TOWER	⊠
▽	SIGN	▽
⊕	MTS PEDESTAL	⊕
⊞	SURVEY BAR	⊞
—	CULVERT	—
—	DITCH / SWALE	—
—	TREE OR SHRUB LINE	—
—	FENCE LINE	—
—	HYDRO	—
—	GAS MAIN	—
—	MTS	—
→	DIRECTION OF FLOW	→
—	WICK DRAIN	—
—	RIP RAP	—
—	GROUND ELEVATION 99.000	—
—	DITCH ELEVATION 99.000	—
—	ROAD/DYKE ELEVATION 99.000	—
—	DYKE	—
---	EXISTING	---
---	LEGEND	---
---	PROPOSED	---

PROJECT NO:	131-13812-00	DATE:	2013/05/31
ORIGINAL SCALE:	1:5000	IF THIS SHEET IS NOT 25mm LONG, ADJUST YOUR PLOTTING SCALE.	
DESIGNED BY:	LVC		
DRAWN BY:	LVC		
CHECKED BY:	AJP		
DISCIPLINE:	CIVIL		
TITLE:	PROPOSED LAGOON LOCATION		
SHEET NUMBER:	C01		
SHEET #:	1 OF 4		REV #
EAP SUBMISSION	DATE OF: 2013/05/31		0



1500 PVC SERIES 160 SDR-26 FM
EXISTING PERIMETER FENCE
REMOVE SOUTH SEGMENT OF EXISTING FENCE AND EXTEND AROUND NEW FACILITY

TEMPORARY BENCHMARK EL. = 100.000m
(TO BE RELOCATED)

NEW ACCESS GATE
5 MAIN ENTRANCE SIGNAGE
C02 C04

EXISTING ACCESS ROAD
10.30

PROPOSED FORCEMAIN

EXISTING CLAY CORE - HYDRAULIC CONDUCTIVITY 1×10^{-7} cm/s
NEW CLAY CORE - HYDRAULIC CONDUCTIVITY 1×10^{-7} cm/s CENTRELINE LENGTH = 486 m

EXISTING MONITORING WELLS (SIX IN TOTAL)

REDUCED DRAWING
DO NOT SCALE

PRELIMINARY
NOT FOR CONSTRUCTION

EXISTING	LEGEND	PROPOSED
---	WATERMAIN	---
---	WASTEWATER	---
---	LAND DRAINAGE SEWER	---
---	LOW PRESSURE SEWER	---
○	GATE VALVE	○
○	MANHOLE	○
○	HYDRANT	○
○	UTILITY POLE	○
○	GUY WIRE	○
□	CATCH BASIN	□
□	CURB INLET	□
△	HYDRO TOWER	△
△	SIGN	△
△	MTS PEDESTAL	△
△	SURVEY BAR	△
---	CULVERT	---
---	DITCH / SWALE	---
---	TREE OR SHRUB LINE	---
---	FENCE LINE	---
---	HYDRO	---
---	GAS MAIN	---
---	MTS	---
---	DIRECTION OF FLOW	---
---	WICK DRAIN	---
---	RIP RAP	---
---	GROUND ELEVATION	---
---	DITCH ELEVATION	---
---	ROAD/DYKE ELEVATION	---
---	DYKE	---
---	EXISTING	---
---	LEGEND	---
---	PROPOSED	---

GENIVAR
10 PRINCE WAY
WINNIPEG, MANITOBA
CANADA R2J 3J8
PHONE: 204-474-2880 FAX: 204-474-2884
WWW.GENIVAR.COM

CONSULTING:
SEAL:
APECM
Certificate of Authorization
Genivar Consultants Limited Partnership
No. 4388 Date May 31, 2013
PROVINCE OF MANITOBA
A.J. POETKER
REGISTERED PROFESSIONAL ENGINEER

CLIENT:
FAIRHOLME COLONY
CLIENT REF. #:
PROJECT:
FAIRHOLME COLONY WWSP

KEY PLAN:

DISCLAIMER:
THIS DRAWING AND DESIGN IS COPYRIGHT PROTECTED WHICH SHALL NOT BE USED, REPRODUCED OR REVEALED WITHOUT WRITTEN PERMISSION BY GENIVAR. THE CONTRACTOR SHALL CHECK AND VERIFY ALL DIMENSIONS AND UTILITY LOCATIONS AND REPORT ALL ERRORS AND OMISSIONS PRIOR TO COMMENCING WORK. THIS DRAWING IS NOT TO BE SCALED.

ISSUED FOR - REVISION:

NO.	DATE	DESCRIPTION
1	2013/05/31	EAP SUBMISSION

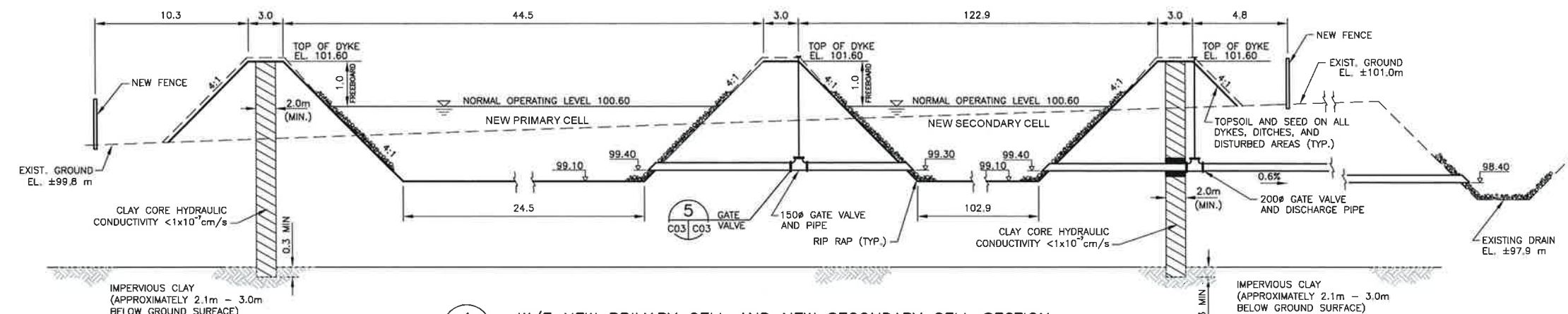
PROJECT NO:
131-13812-00
DATE:
2013/05/31
ORIGINAL SCALE:
1:500
DESIGNED BY:
LVC
DRAWN BY:
LVC
CHECKED BY:
AJP
DISCIPLINE:
CIVIL

TITLE:
PROPOSED DOMESTIC WASTEWATER LAGOON

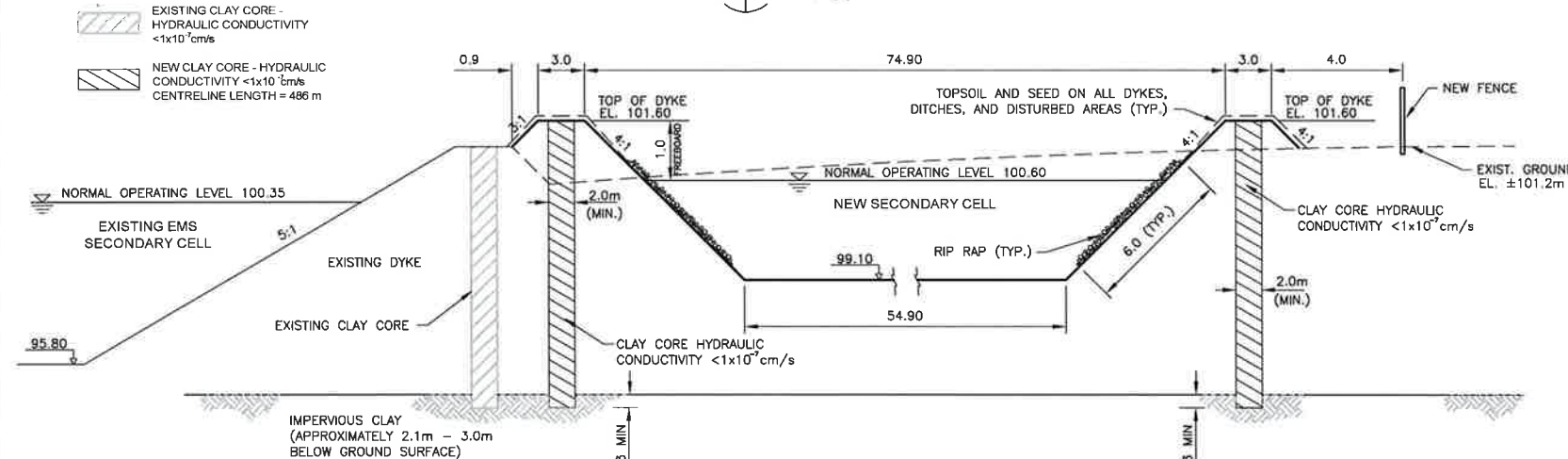
SHEET NUMBER:
C02
SHEET #:
2 OF 4
EAP SUBMISSION
DATE OF: 2013/05/31
REV #:
0

CONSULTANT:
 APEGM
 Certificate of Authorization
 Carver Consultants Limited Partnership
 No. 438 Date May 31, 2013

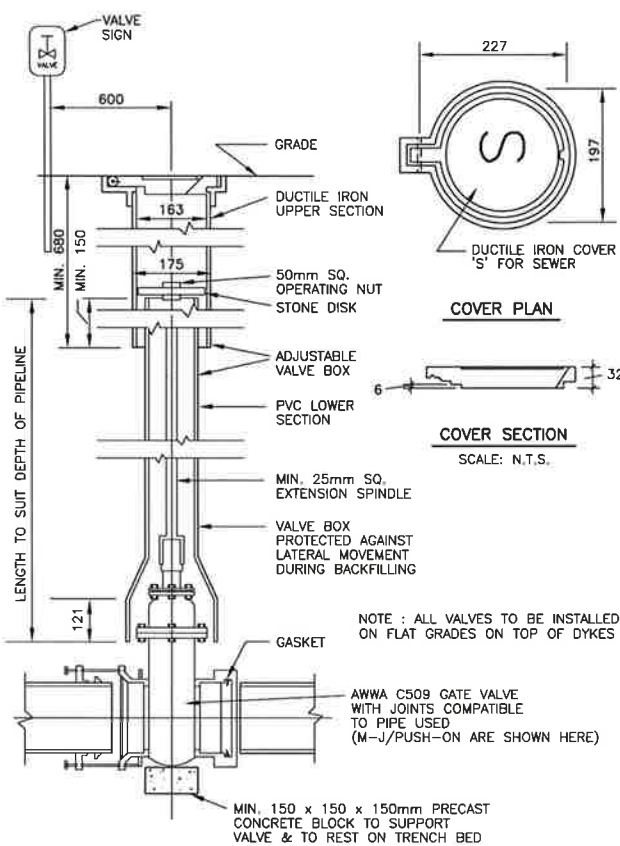
PROVINCE OF MANITOBA
 2013/05/31
 A.J. POETKER
 REGISTERED PROFESSIONAL ENGINEER



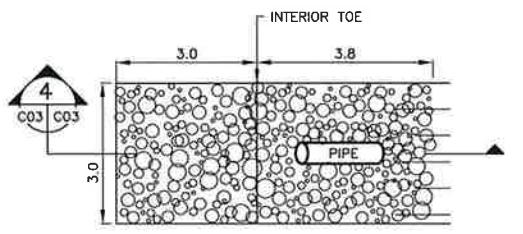
1 W/E NEW PRIMARY CELL AND NEW SECONDARY CELL SECTION
 N.T.S.



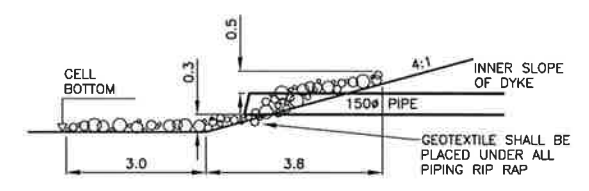
2 N/S NEW SECONDARY CELL SECTION
 N.T.S.



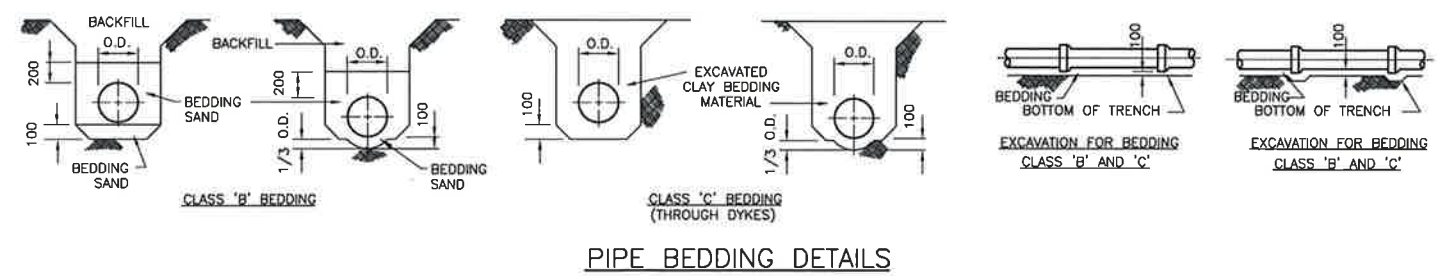
5 GATE VALVE INSTALLATION
 N.T.S.



3 PIPING RIP RAP DETAIL
 N.T.S.



4 PIPING RIP RAP SECTION
 N.T.S.



PIPE BEDDING DETAILS

REDUCED DRAWING
 DO NOT SCALE

PRELIMINARY
 NOT FOR CONSTRUCTION

FAIRHOLME COLONY

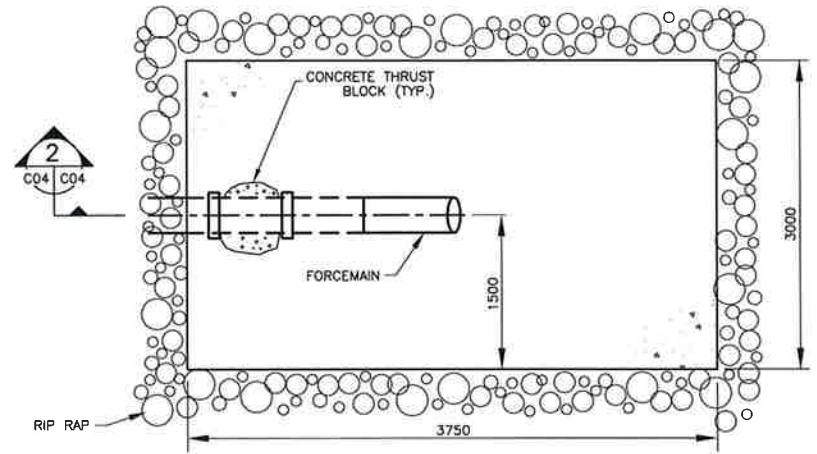
CLIENT REF. #

PROJECT:

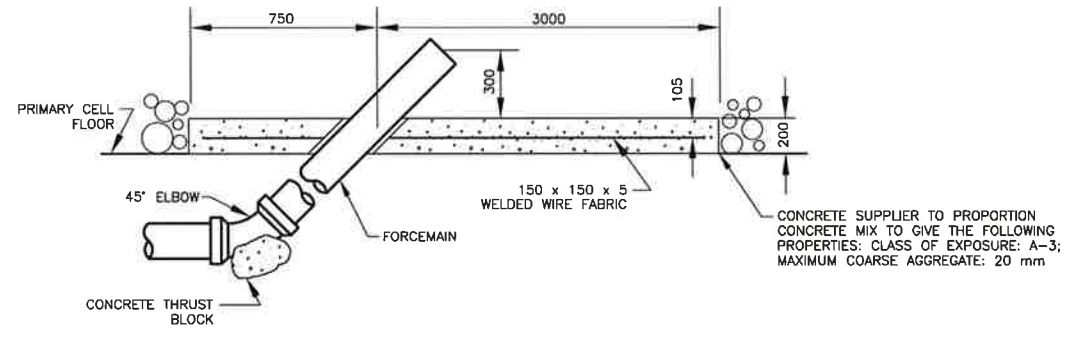
FAIRHOLME COLONY WWSP

DISCLAIMER:
 THE DRAWING AND DESIGN IS COPYRIGHT PROTECTED. THEY SHALL NOT BE LOANED, REPRODUCED OR REVISED WITHOUT WRITTEN PERMISSION BY GENIVAR. THE CONTRACTOR SHALL CHECK AND VERIFY ALL DIMENSIONS AND UTILITY LOCATIONS AND REPORT ALL ERRORS AND OMISSIONS PRIOR TO COMMENCING WORK.
 THE DRAWING IS NOT TO BE SCALED.

REV	DATE	DESCRIPTION
1	2012/05/31	EAP SUBMISSION
PROJECT NO:		131-13812-00
DATE:		2013/05/31
ORIGINAL SCALE:		N.T.S.
DESIGNED BY:		LVC
DRAWN BY:		LVC
CHECKED BY:		AJP
DISCIPLINE: CIVIL		
TITLE: SECTIONS, PIPING RIP RAP, GATE VALVE AND PIPE BEDDING DETAILS		
SHEET NUMBER:		C03
SHEET #:		3 OF 4
EAP SUBMISSION		0
DATE OF: 2013/05/31		



1 SPLASH PAD DETAIL
 C02 C04 N.T.S.



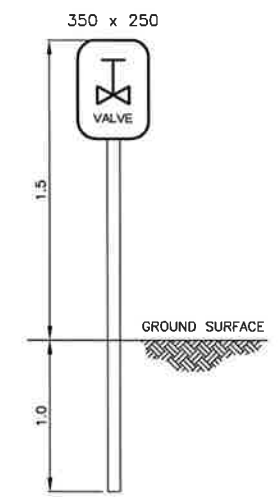
2 SPLASH PAD SECTION
 C04 C04 N.T.S.



4 PERIMETER FENCE SIGNAGE DETAIL (TYP.)
 N.T.S.



5 MAIN ENTRANCE SIGNAGE DETAIL
 C02 C04 N.T.S.



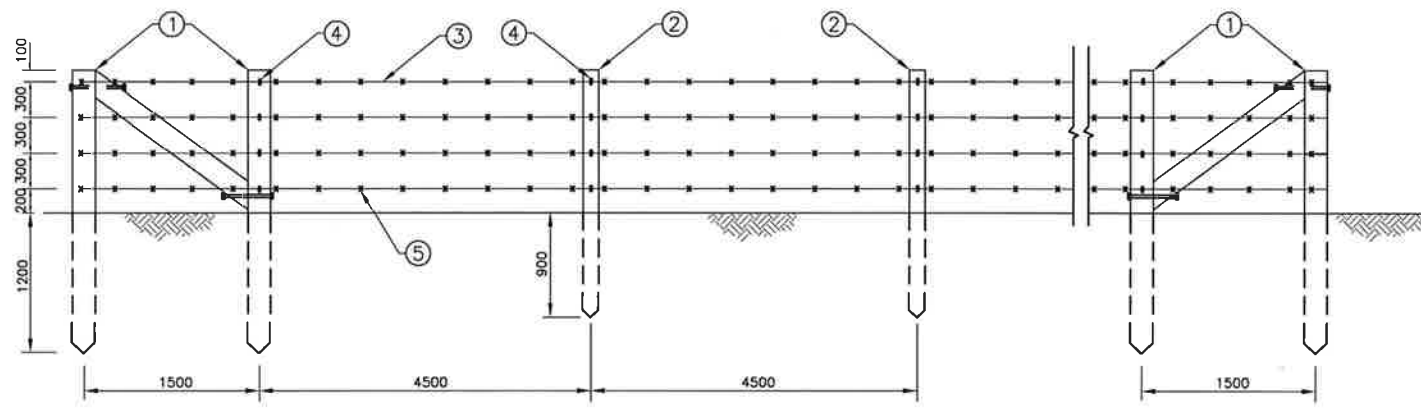
6 VALVE SIGNAGE DETAIL
 C02 C04 N.T.S.

PERIMETER FENCE SIGNAGE NOTES:
 1) PERIMETER SIGNAGE TO BE SECURED TO PERIMETER FENCE POSTS EVERY 50 m AROUND ENTIRE FACILITY
 2) SIGNS TO BE CONSTRUCTED OF ALUMINUM, AIR MASTER QUALITY OR APPROVED EQUAL

NOTE:
 1) MAIN ENTRANCE SIGNAGE TO BE ATTACHED AND INSTALLED WITH TWO 4X4 PRESSURE TREATED WOOD POSTS
 2) SIGN TO BE CONSTRUCTED OF ALUMINUM, AIR MASTER QUALITY OR APPROVED EQUAL.

NOTES:
 1. CORNER POSTS: 175# TREATED WOOD POST, 2400mm LONG
 2. REGULAR POSTS: 125# TREATED WOOD POST, 2100mm LONG
 3. 2 STRAND 2# GALVANIZED WIRE (TYP.)
 4. WIRE FENCE STAPLES (TYP.)
 5. 4 POINT BARBS (TYP.)

NOTES:
 1) POST SHALL BE AIRMASTER U-CHANNEL GALVANIZED STEEL OR EQUIVALENT
 2) VALVE SIGNAGE TO BE PLACED ON ALL NEW VALVES



3 PERIMETER FENCE DETAIL
 C02 C04 N.T.S.

REDUCED DRAWING
 DO NOT SCALE

PRELIMINARY
 NOT FOR CONSTRUCTION

CONSULTANT:				
SEAL:				
CLIENT:				
FAIRHOLME COLONY				
CLIENT REF. #:				
PROJECT:				
FAIRHOLME COLONY WWSP				
KEY PLAN:				
DISCLAIMER:				
<small>THIS DRAWING AND DESIGN IS COPYRIGHT PROTECTED. THESE SHALL NOT BE REPRODUCED OR REUSED WITHOUT WRITTEN PERMISSION BY GENIVAR. THE CONTRACTOR SHALL CHECK AND VERIFY ALL DIMENSIONS AND VERIFY LOCATIONS AND REPORT ALL ERRORS AND OMISSIONS PRIOR TO COMMENCING WORK. THIS DRAWING IS NOT TO BE SCALED.</small>				
ISSUED FOR - REVISION:				
<table border="1"> <tr> <td>1</td> <td>2013/05/31</td> <td>EAP SUBMISSION</td> </tr> </table>		1	2013/05/31	EAP SUBMISSION
1	2013/05/31	EAP SUBMISSION		
PROJECT NO:	131-13812-00			
DATE:	2013/05/31			
ORIGINAL SCALE:	N.T.S.			
DESIGNED BY:	LVC			
DRAWN BY:	LVC			
CHECKED BY:	AJP			
DISCIPLINE:	CIVIL			
TITLE:	PERIMETER FENCE, PIPING RIP RAP AND SIGNAGE DETAILS			
SHEET NUMBER:	C04			
SHEET #:	4 OF 4			
REVISION:	EAP SUBMISSION			
DATE OF:	2013/05/31			
REV #:	0			