

XREF: 10180-PFDMASTER.DWG
 Q:\10180\PID\10180-1001.DWG
 PLOTTED: NOV 23, 2010 2:37 PM

No.	Revision	By	Date	Chk.	Job
A	ISSUED FOR REVIEW	CML	10-11-01		10180

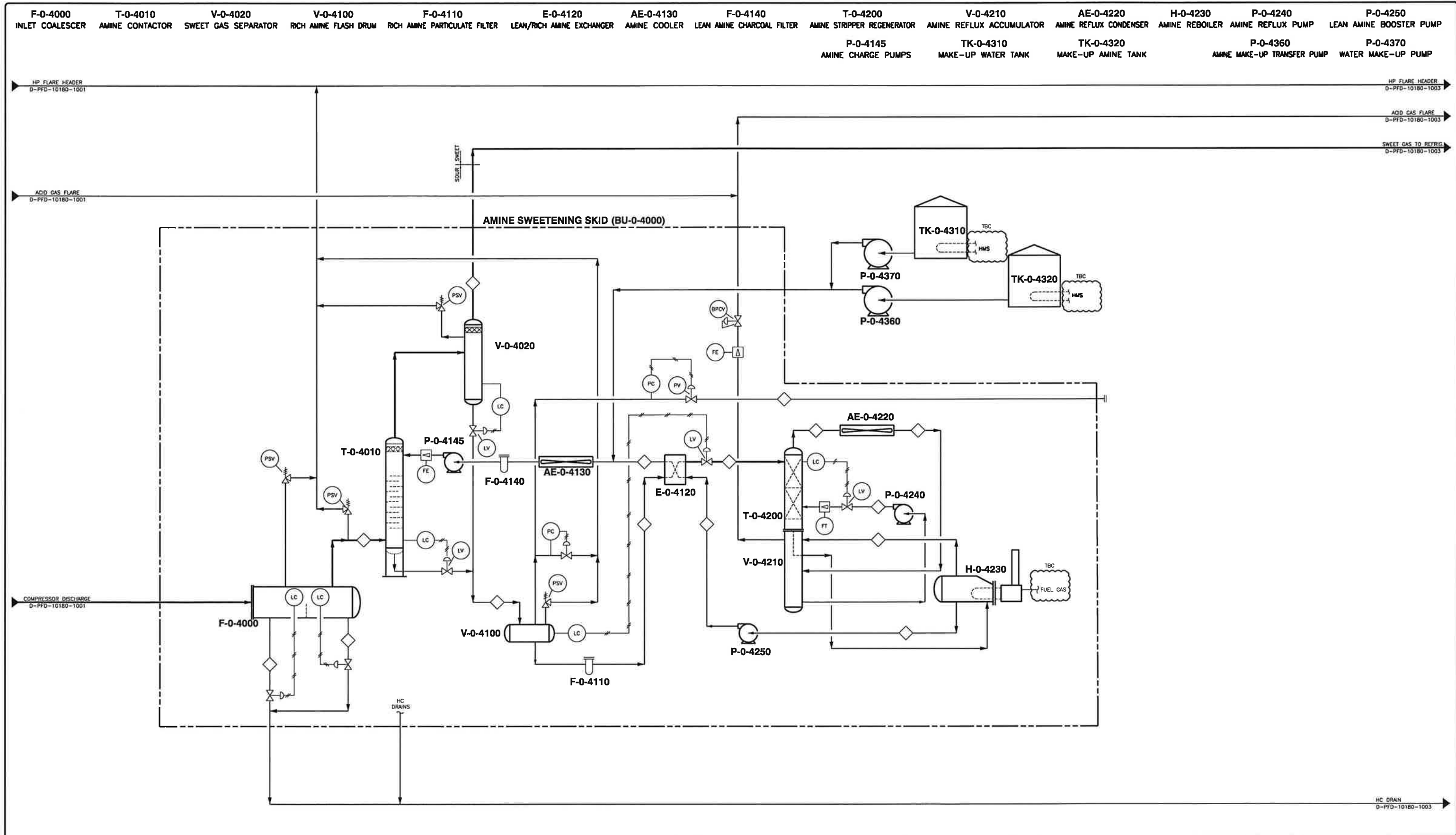
Prepared By: **GAS LIQUIDS ENGINEERING LTD.**

- GAS PURIFICATION
- REFRIGERATION
- DISTILLATION
- LIQUIDS TREATING
- FACILITIES ENGINEERING

Prepared For:

WASKADA GAS PLANT
 PROCESS FLOW DIAGRAM
 INLET AND COMPRESSION AREA
 LSD 16-21-001-25 W1M

Drawn	Scale	Drawing Number	Rev.
GLE	NONE	D-PFD-10180-1001	A



XREF: 10180-PFDMASTER.DWG
 Q:\10180\PID\10180-1002.DWG
 PLOTTED: NOV 23, 2010 2:41 PM

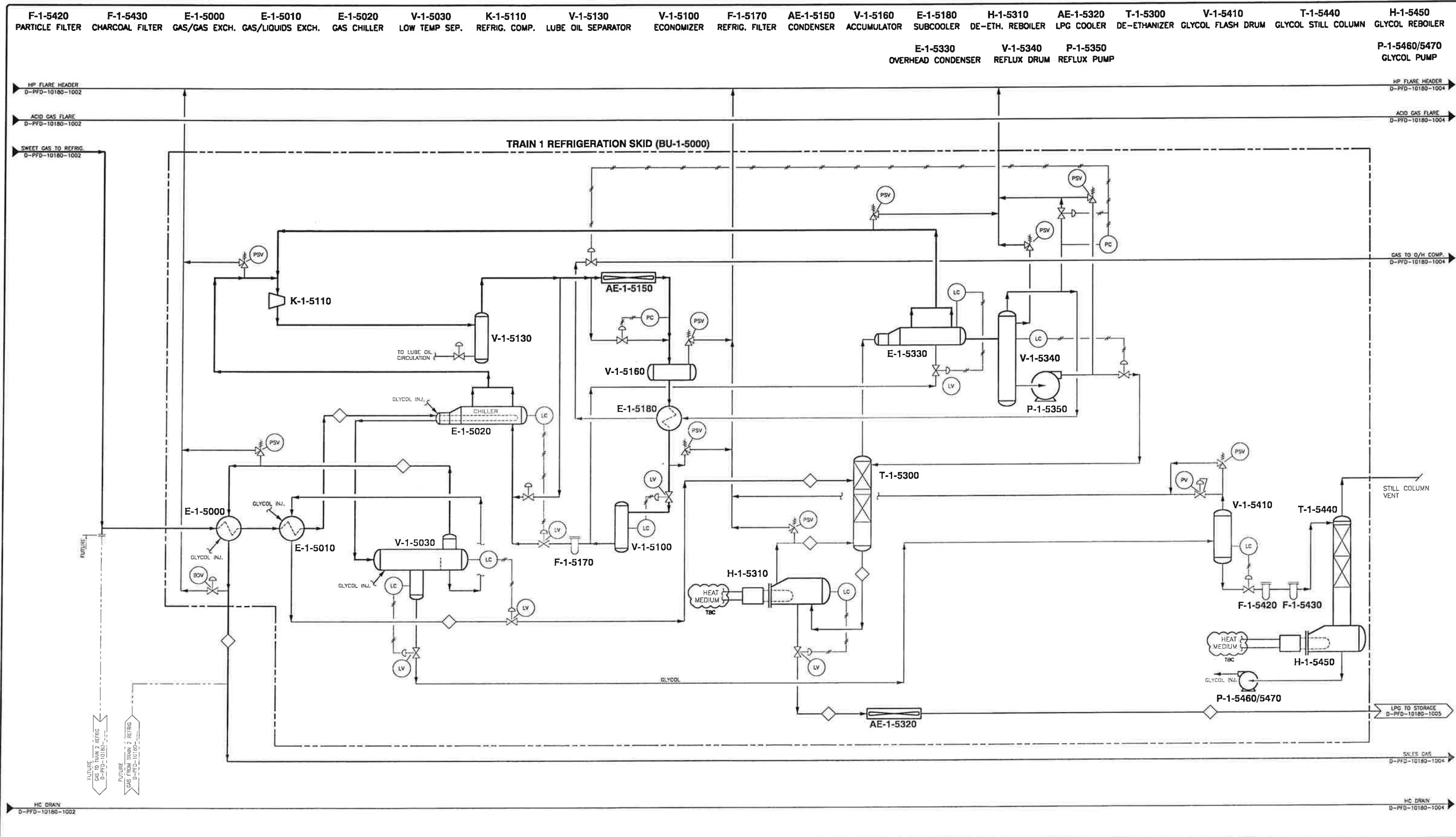
No.	Revision	By	Date	Ck.	Job
A	ISSUED FOR REVIEW	CML	10-11-01		10180

Prepared By:

• GAS PURIFICATION
 • REFRIGERATION
 • DISTILLATION
 • LIQUIDS TREATING
 • FACILITIES ENGINEERING

Prepared For:

WASKADA GAS PLANT				
PROCESS FLOW DIAGRAM AMINE SWEETENING SKID LSD 16-21-001-25 W1M				
Drawn	Scale	Drawing Number	Rev.	
GLE	NONE	D-PFD-10180-1002	A	



XREF: 10180-PFDMASTER.DWG
 Q:\10180\PID\10180-1003.DWG
 PLOTTED: NOV 04, 2010 11:00 AM

No.	Revision	By	Date	Chk.	Job
A	ISSUED FOR REVIEW	CML	10-11-01		10180

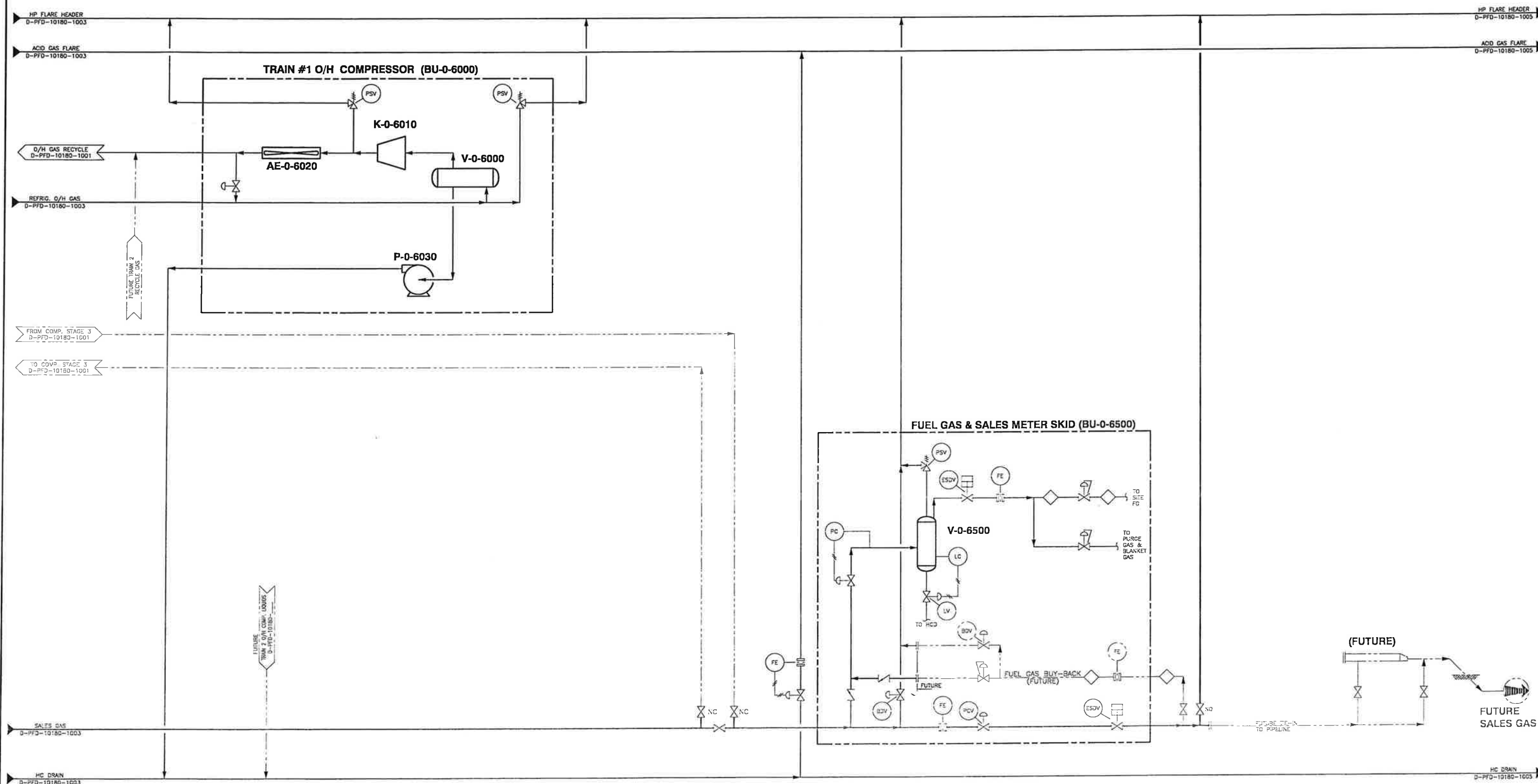
Prepared By: **GAS LIQUIDS ENGINEERING LTD.**
 • GAS PURIFICATION
 • REFRIGERATION
 • DISTILLATION
 • LIQUIDS TREATING
 • FACILITIES ENGINEERING



WASKADA GAS PLANT			
PROCESS FLOW DIAGRAM REFRIGERATION AREA LSD 16-21-001-25 W1M			
Drawn	Scale	Drawing Number	Rev.
GLE	NONE	D-PFD-10180-1003	A

AE-0-6020 O/H RECYCLE COOLER
 K-0-6010 O/H RECYCLE COMPRESSOR
 V-0-6000 SUCTION SCRUBBER
 P-0-6030 LIQUID PUMP

V-0-6500
 FG SCRUBBER

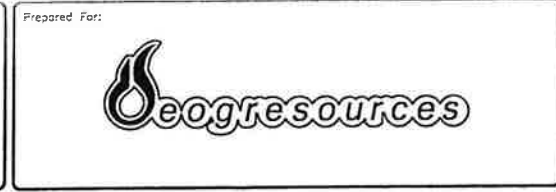


XREF: 10180-PFDMASTER.DWG
 Q:\10180\PID\10180-1004.DWG
 PLOTTED: NOV 04, 2010 11:00 AM

No.	Revision	By	Date	Chk.	Job
A	ISSUED FOR REVIEW	AAK	10-11-01		10180

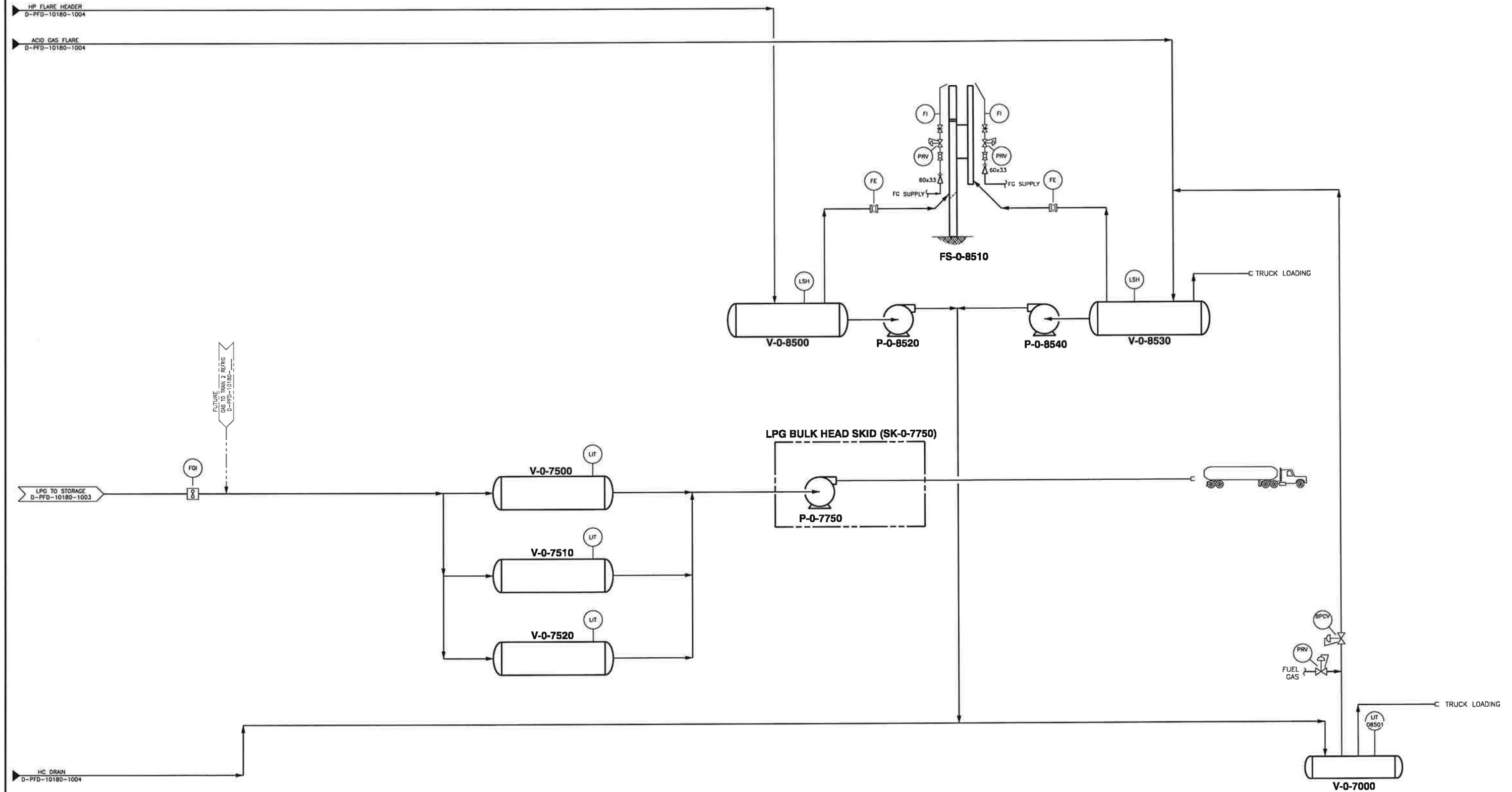
Prepared By: **GAS LIQUIDS ENGINEERING LTD.**

- GAS PURIFICATION
- REFRIGERATION
- DISTILLATION
- LIQUIDS TREATING
- FACILITIES ENGINEERING



WASKADA GAS PLANT			
PROCESS FLOW DIAGRAM RECYCLE AND SALES GAS LSD 16-21-001-25 W1M			
Drawn	Scale	Drawing Number	Rev.
GLE	NONE	D-PFD-10180-1004	A

V-0-8500 HP FLARE KO DRUM FS-0-8510 HP/LP FLARE STACK P-0-8520 RECYCLE PUMP V-0-8530 LP FLARE KO DRUM P-0-8540 RECYCLE PUMP V-0-7000 HC DRAIN TANK V-0-7500/7510/7520 LPG BULLETS P-0-7750 LPG LOADING PUMP



XREF: 10180-PFDMASTER.DWG
Q:\10180\PID\10180-1005.DWG
PLOTTED: NOV 24, 2010 1:20 PM

No.	Revision	By	Date	Chk.	Job
A	ISSUED FOR REVIEW	ANK	10-11-01		10180

Prepared By:

Prepared For:

- GAS PURIFICATION
- REFRIGERATION
- DISTILLATION
- LIQUIDS TREATING
- FACILITIES ENGINEERING

Prepared For:

WASKADA GAS PLANT			
PROCESS FLOW DIAGRAM LPG AND FLARE LSD 16-21-001-25 W1M			
Drawn	Scale	Drawing Number	Rev.
GLE	NONE	D-PFD-10180-1005	A