

Traffic Control Device: **Roadside Safety**
Division:
Subject: **Roadside Furniture Delineation (Weirs, Water Valves, Silt Fences, Utility boxes, etc.)**

Purpose

Delineation of roadside “furniture” such as weirs, water valves and utility structures installed within Department right-of-way is required to alert operators of off-road vehicles and motorists to the potential hazard.

Policy

It is often necessary to install weirs, water valves and other utility structures within the Department right-of-way. These objects should be installed as far from the roadway travel lane as practical and should be delineated.

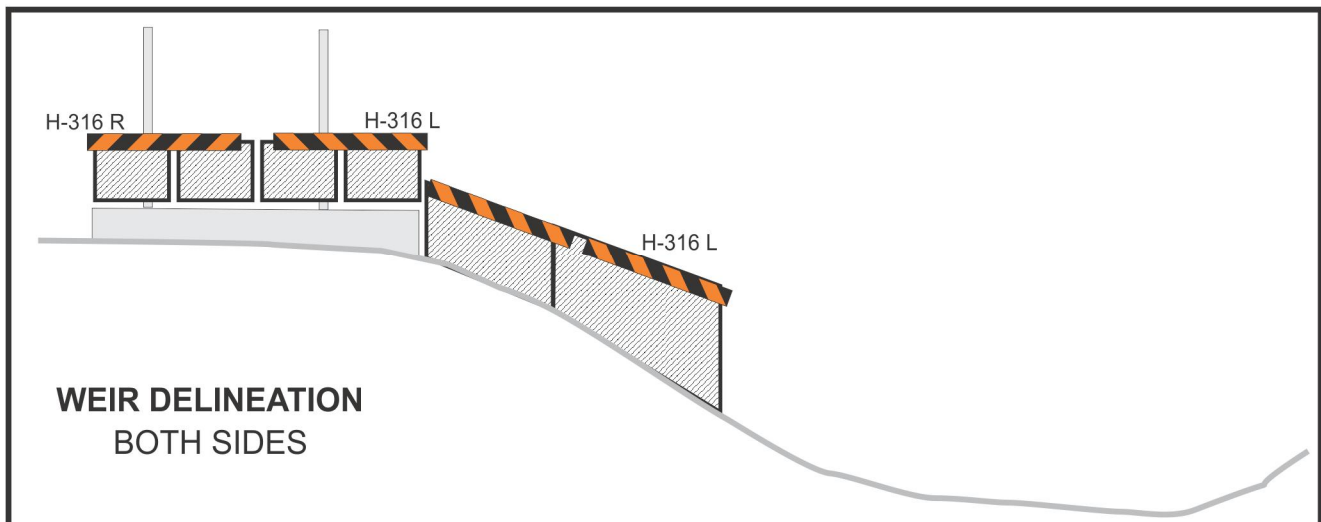
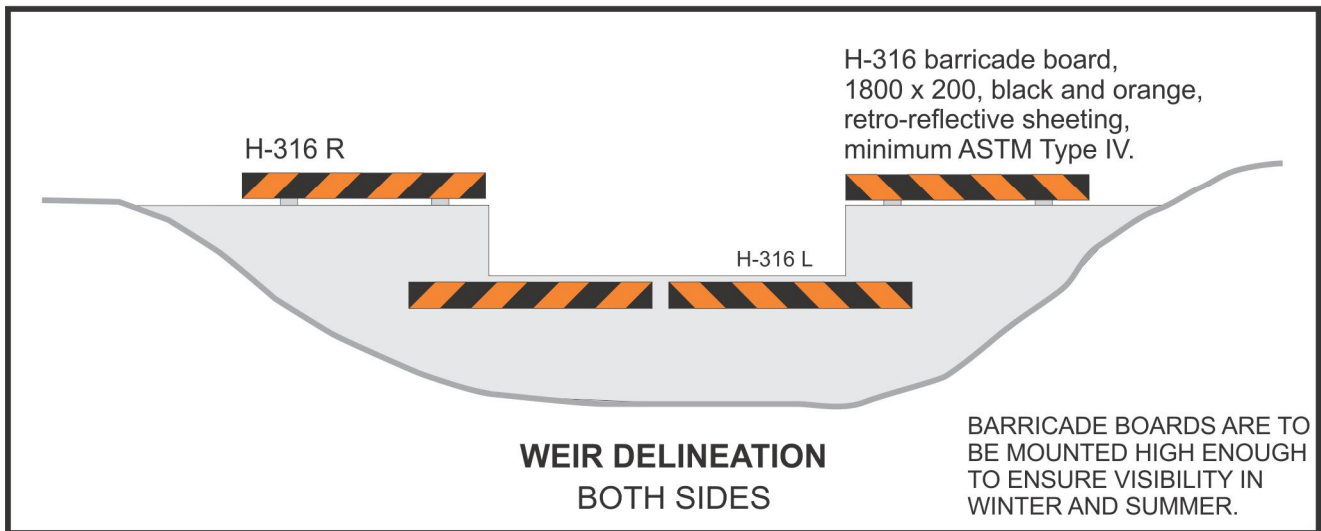
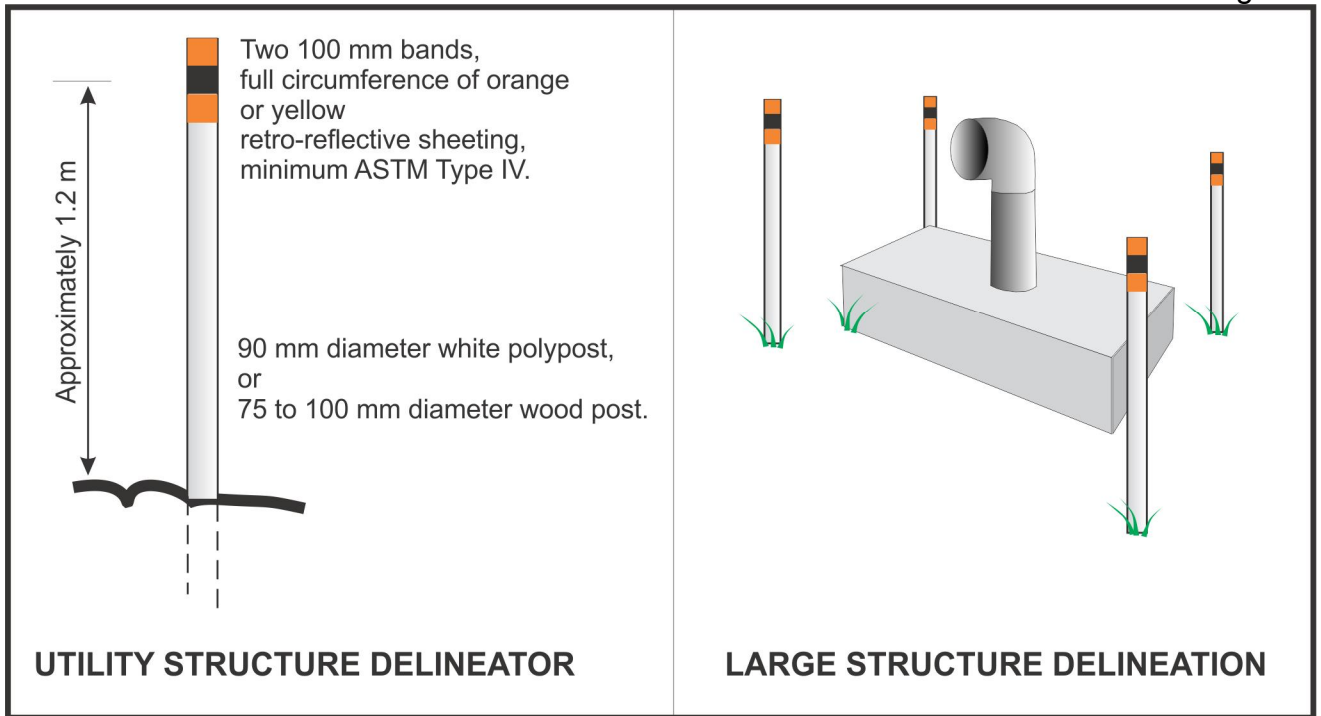
Standard

Delineator posts (90 mm diameter polyposts or 75mm to 100 mm wood posts) with retroreflective sheeting should be used to delineate all water valves and utility structures (excluding Hydro and other utility poles) installed within Department right-of-way. One post should be used to delineate smaller structures. Larger structures may require four or more posts for adequate delineation.

Weirs and other wide structures should be delineated using retroreflective devices as shown on pages 2, 3, and 4.

RECOMMENDED: "ORIGINAL SIGNED BY"
Director, Traffic Engineering

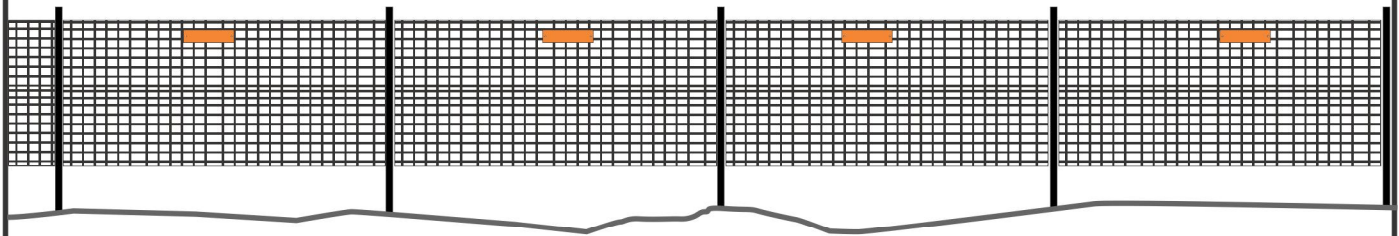
APPROVED: "ORIGINAL SIGNED BY"
Executive Director
Highway Engineering



DELINEATOR FOR :
SILT FENCES



FLUORESCENT ORANGE, ASTM TYPE XI
1 mm ALUMINUM SHEET
2 HOLES DRILLED



ATTACH TO EACH SECTION OF SILT FENCE

DELINEATION FOR UTILITY BOXES :

2 BANDS OF CONSPICUITY TAPE

