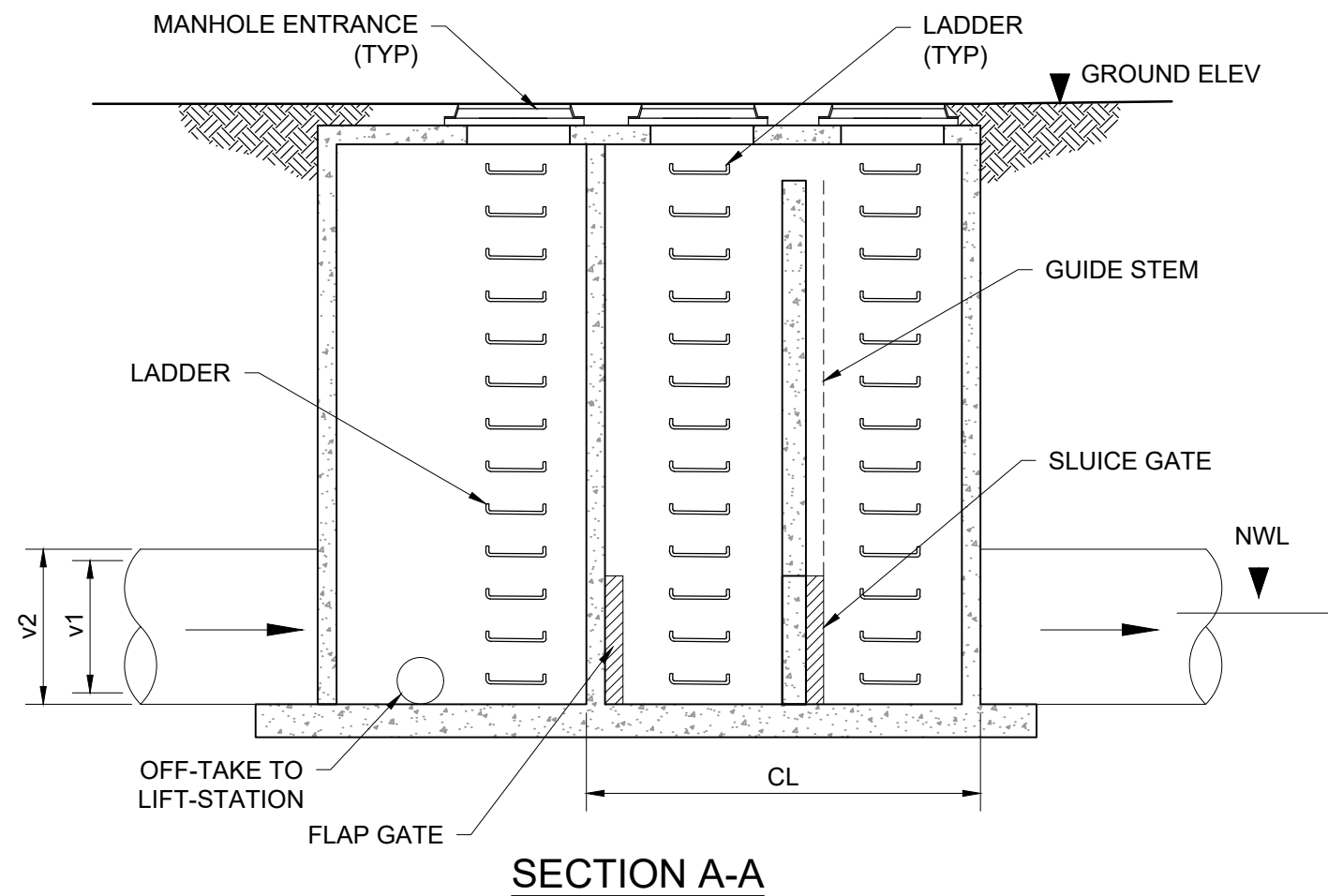
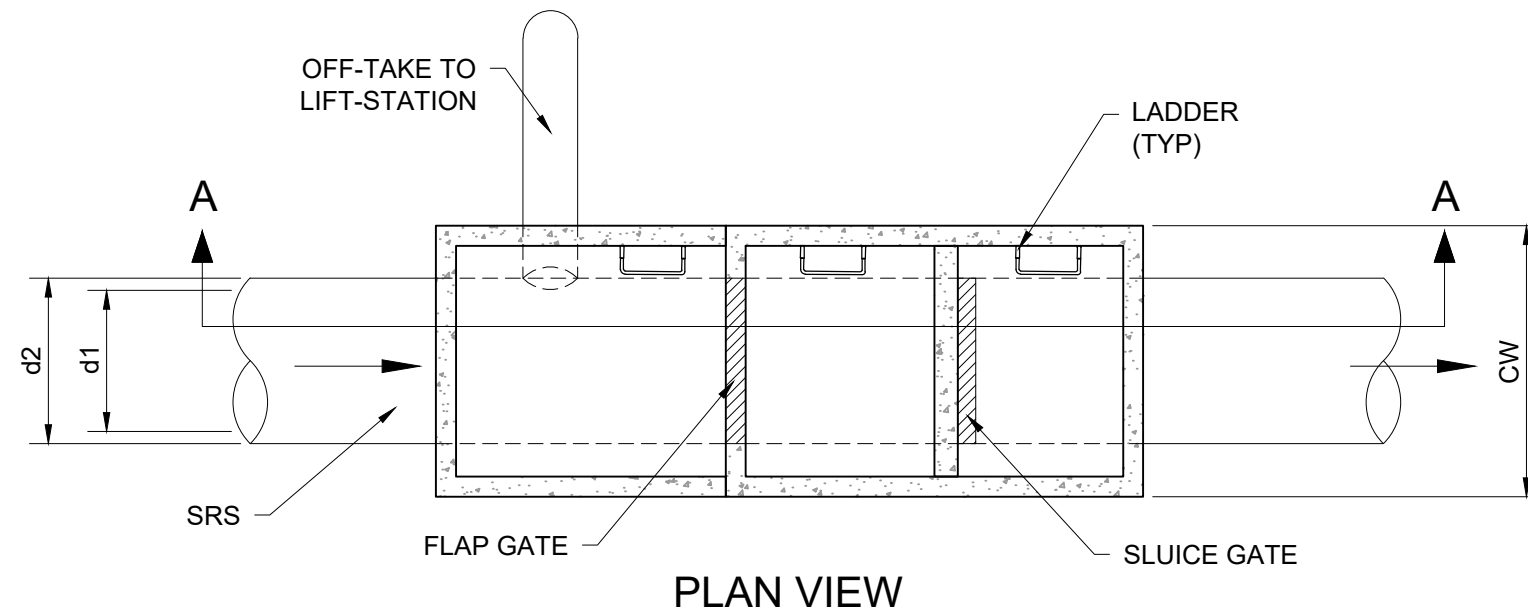
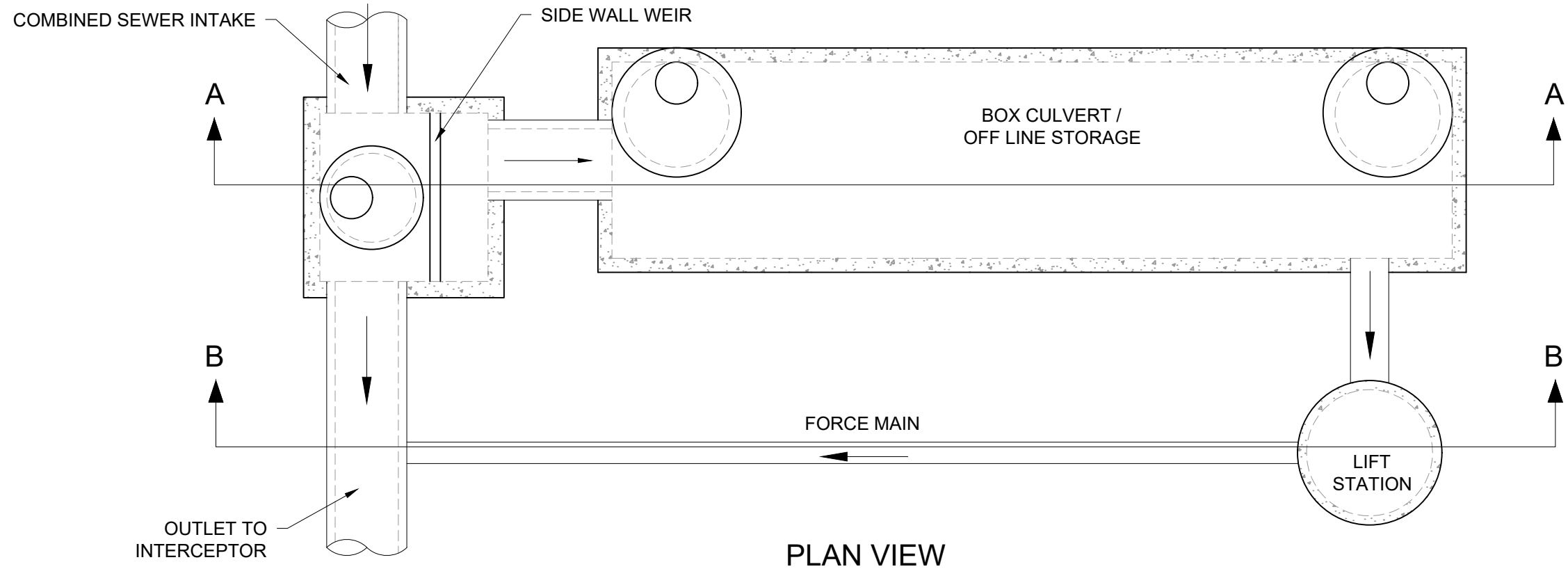


APPENDIX B FIGURES

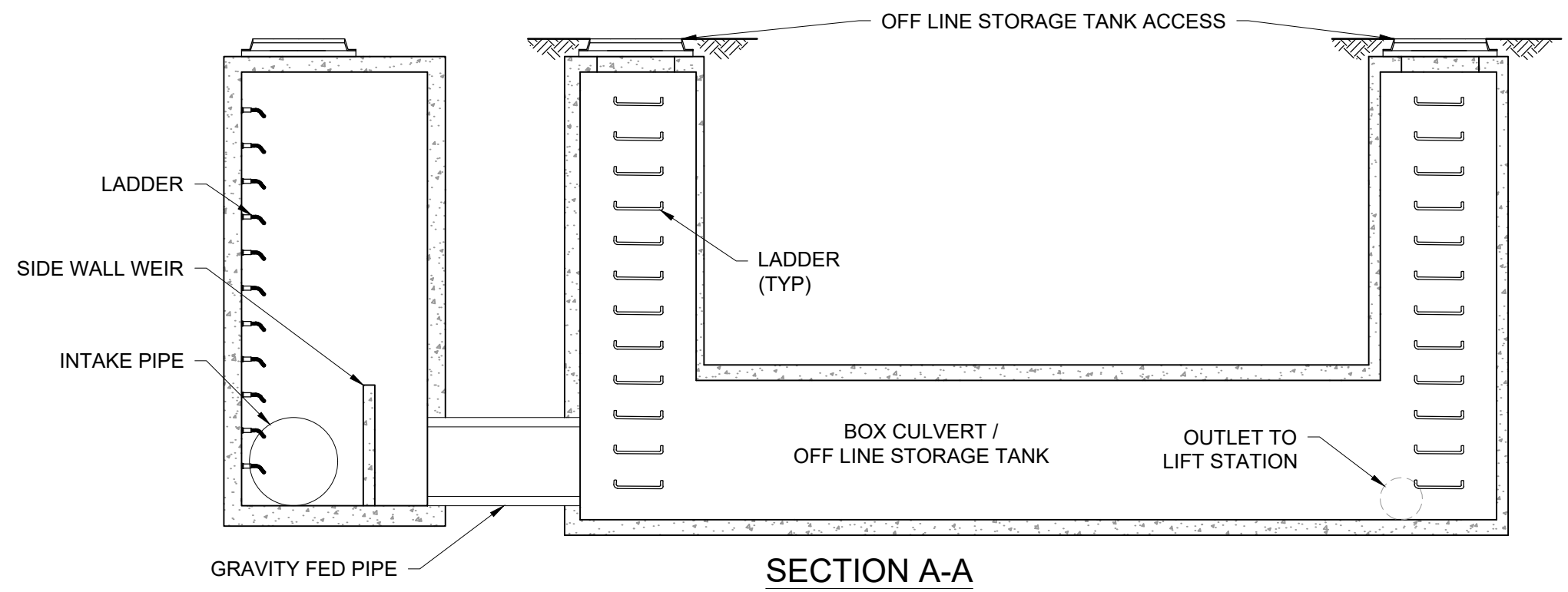




CITY OF WINNIPEG
 CSO MASTER PLAN
 FIGURE B-1 : SRS CHAMBER WITH FLAP
 GATE AND OFF-TAKE



PLAN VIEW

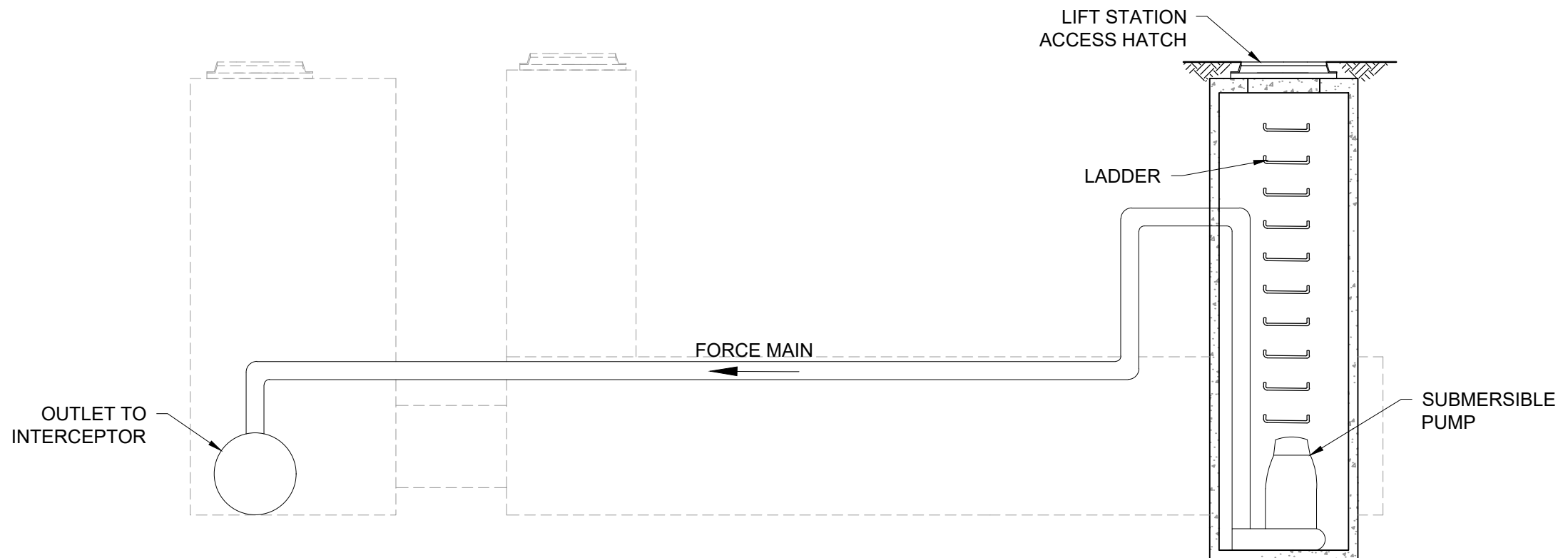


SECTION A-A

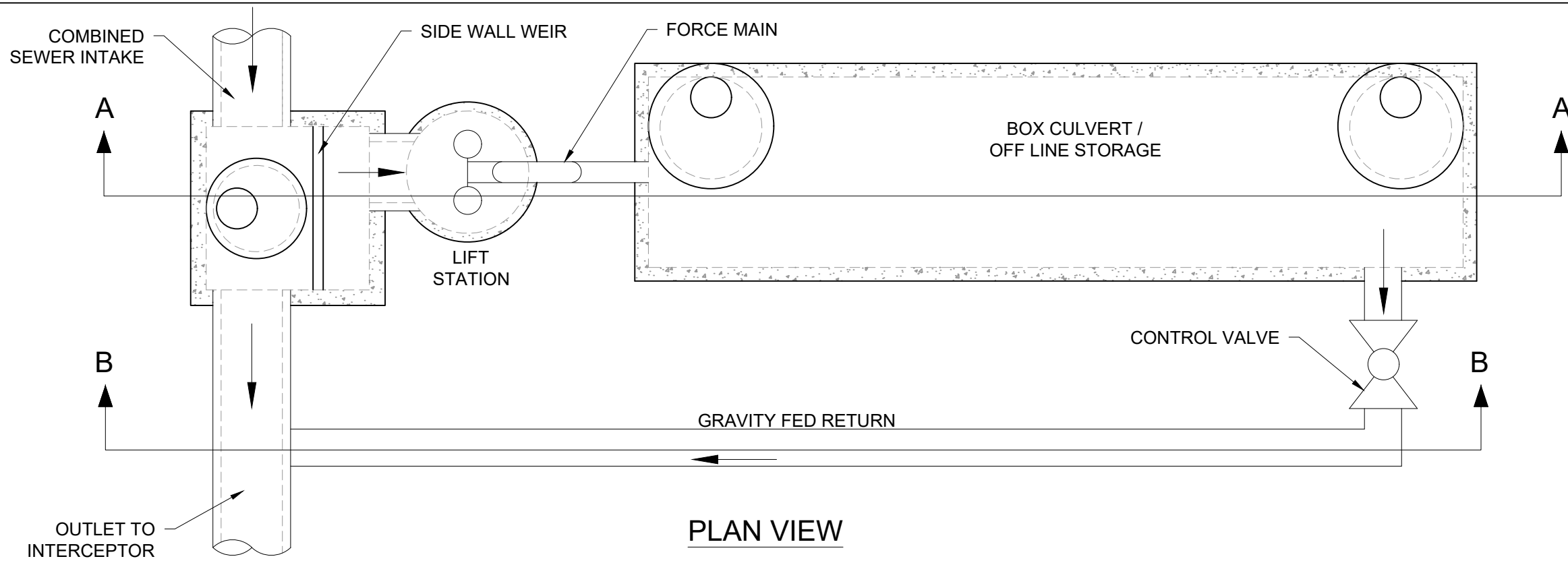


CITY OF WINNIPEG
CSO MASTER PLAN

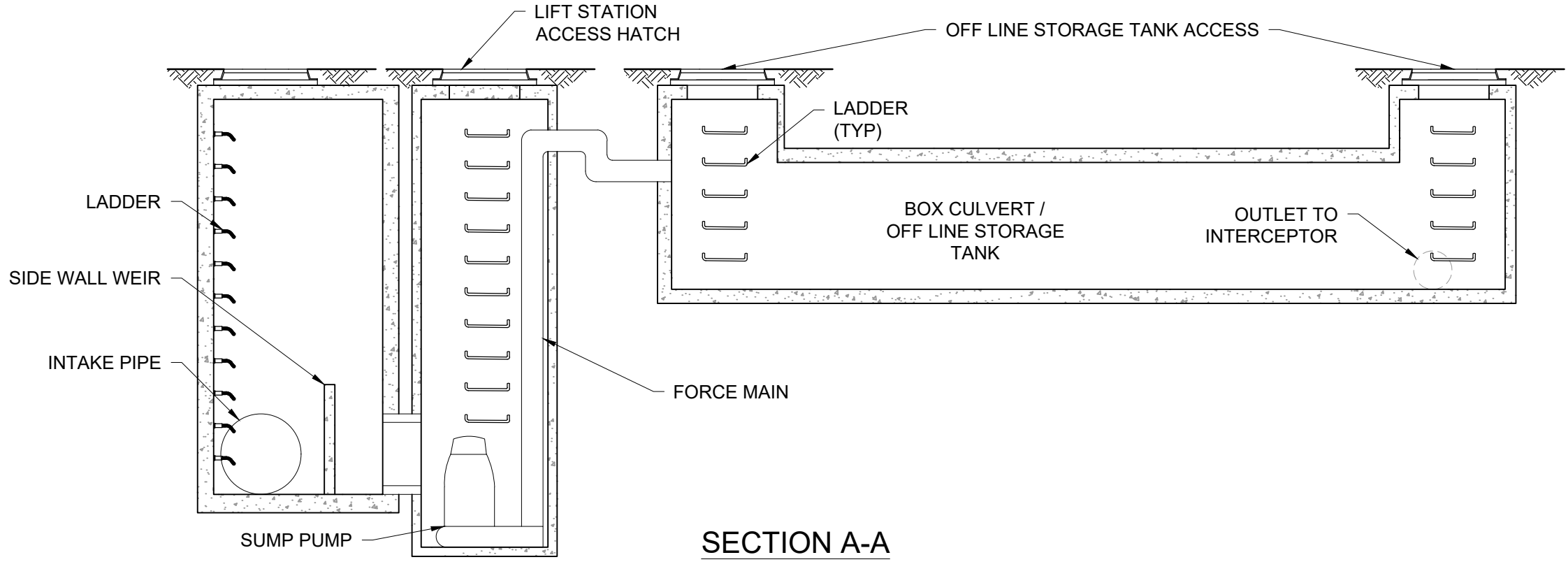
FIGURE B-2 : OFFLINE DEEP STORAGE TANK



SECTION B-B



PLAN VIEW

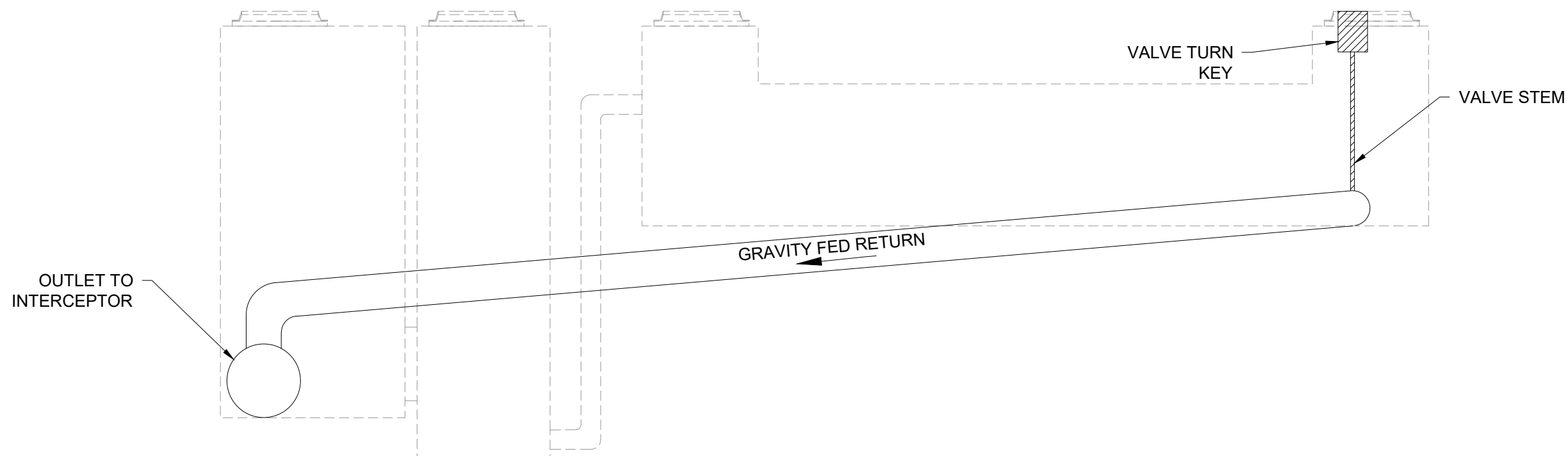


SECTION A-A

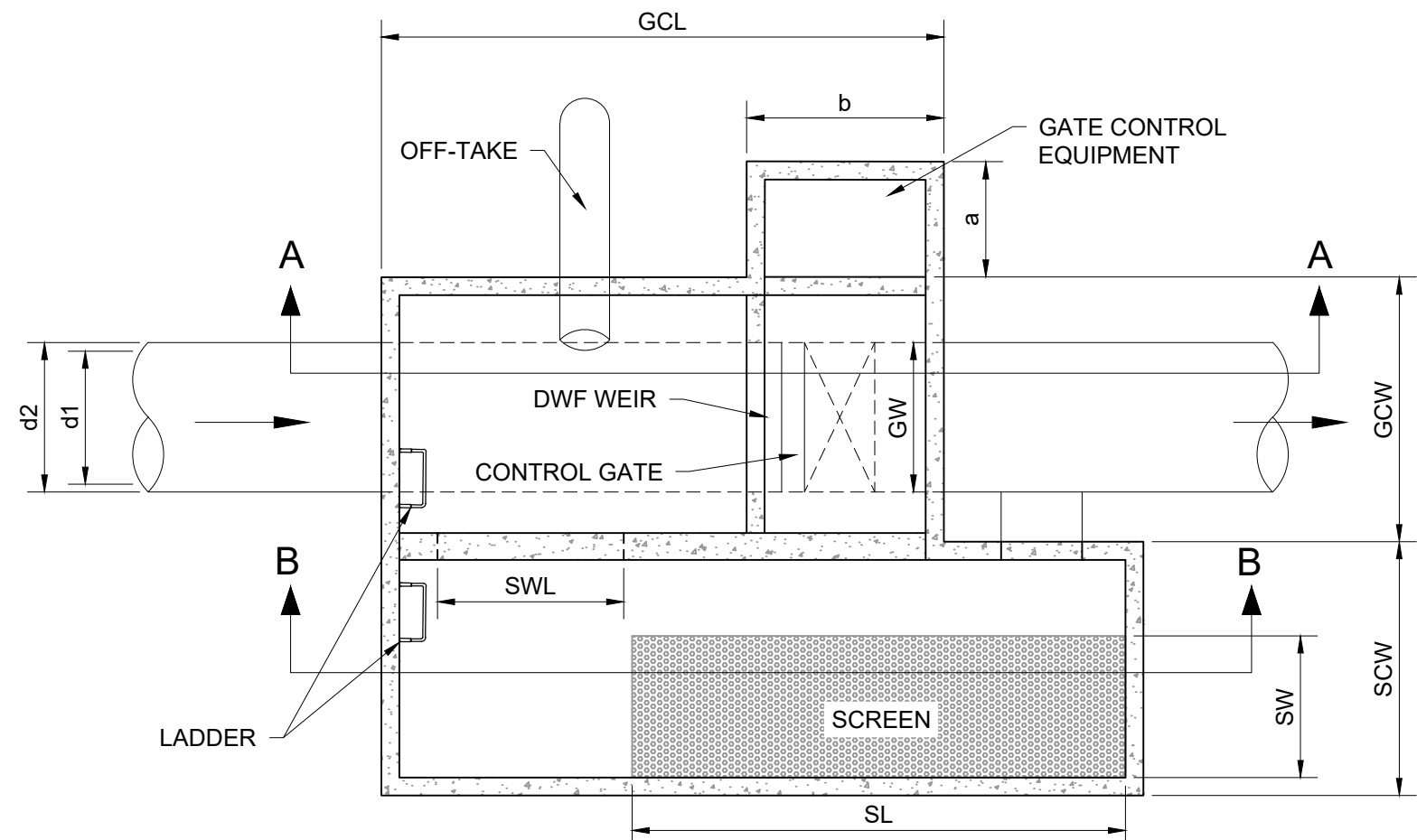


CITY OF WINNIPEG
CSO MASTER PLAN

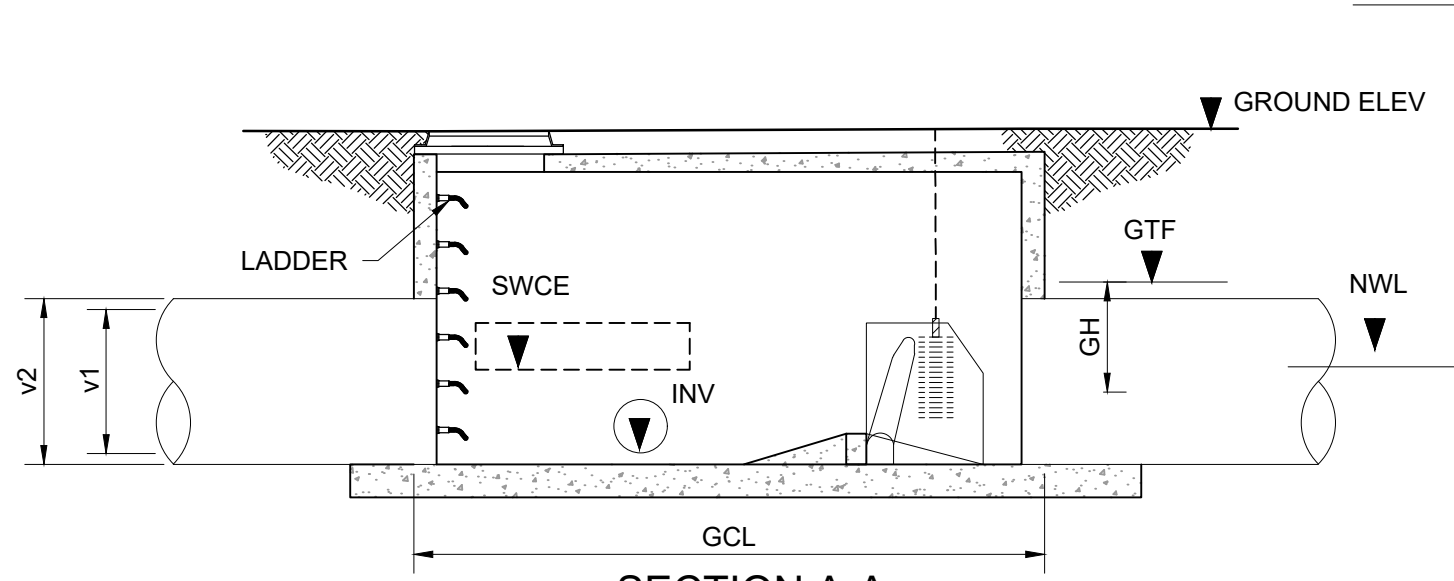
FIGURE B-4 : OFFLINE NEAR SURFACE STORAGE TANK



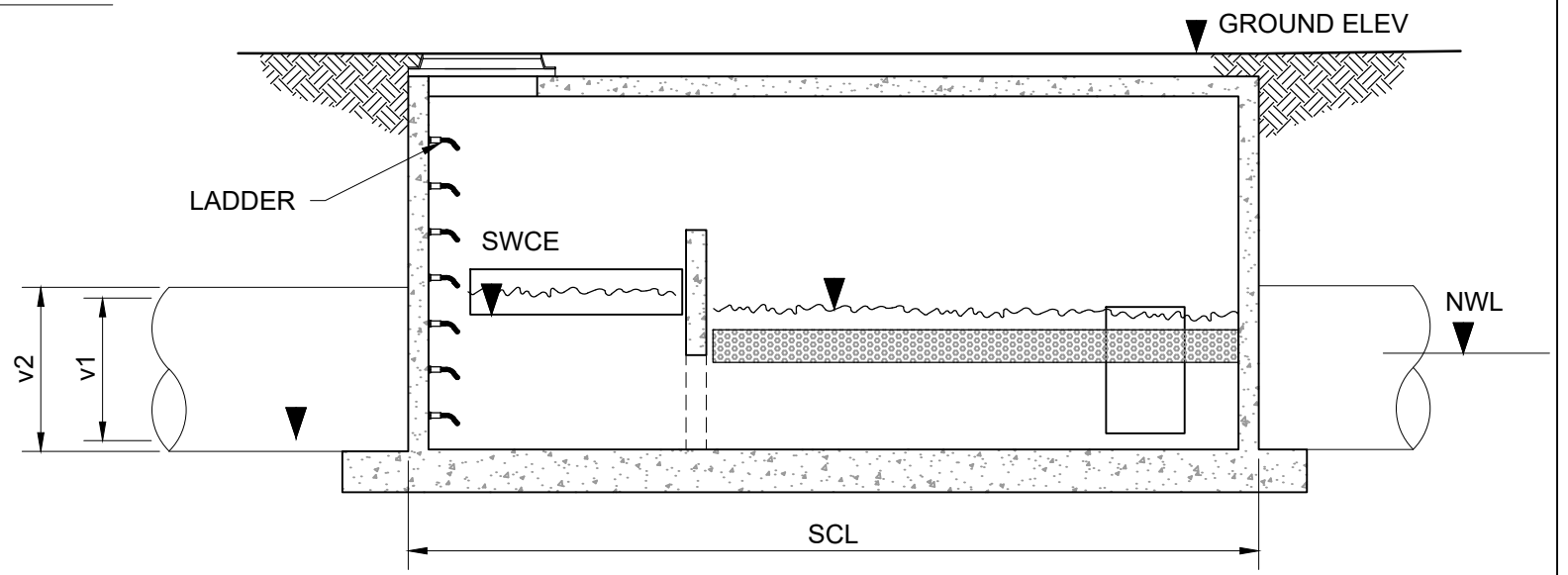
SECTION B-B



PLAN VIEW



SECTION A-A



SECTION B-B



CITY OF WINNIPEG
CSO MASTER PLAN

FIGURE B-6 : IN LINE GATE CHAMBER WITH
SIDE ADDITION OF SCREENING CHAMBER