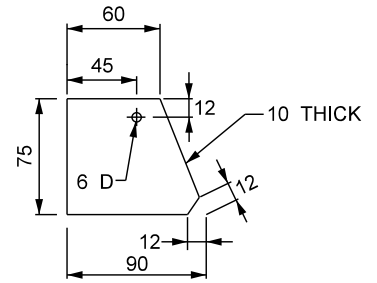
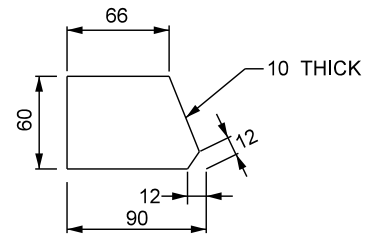


5 DIA BRASS
KEEPER ROD

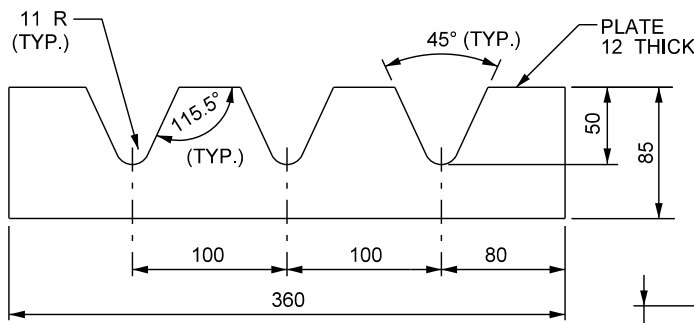
PLAN VIEW 1:5



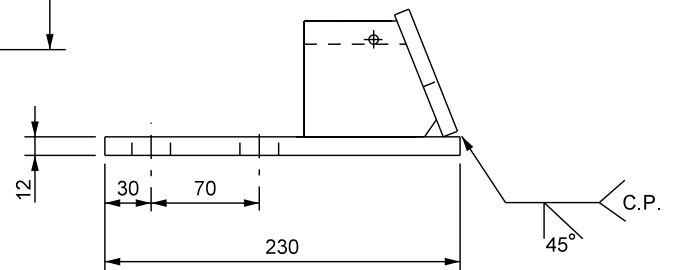
EXTERNAL STIFFENER 1:5



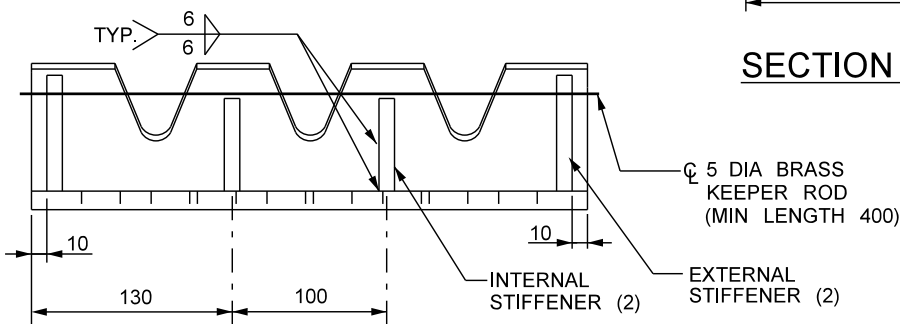
INTERNAL STIFFENER 1:5



TRUE PLAN 1:5



SECTION VIEW 1:5



FRONT VIEW 1:5

NOTES:

1. SEAL ALL WELDS PRIOR TO GALVANIZING.
2. ALL SCALES ARE APPROXIMATE.
3. ALL DIMENSIONS ARE IN MILLIMETRES.
4. THE ORIGINAL SEALED & SIGNED DRAWING IS IN TRAFFIC ENGINEERING.

REVISIONS		
DATE	DESCRIPTION	BY
10/10	REVISIONS	DC
14/05	INTERNAL STIFFENER, TRUE PLAN VIEW	HL
20-01	REVISED DIMENSIONS	LB



CABLE GUARDRAIL
INTERMEDIATE
ANCHOR BRACKET

SHEET NO:	1 OF 1
DATE:	2006 - 11
DRAWN:	A.G.

TFFPA05