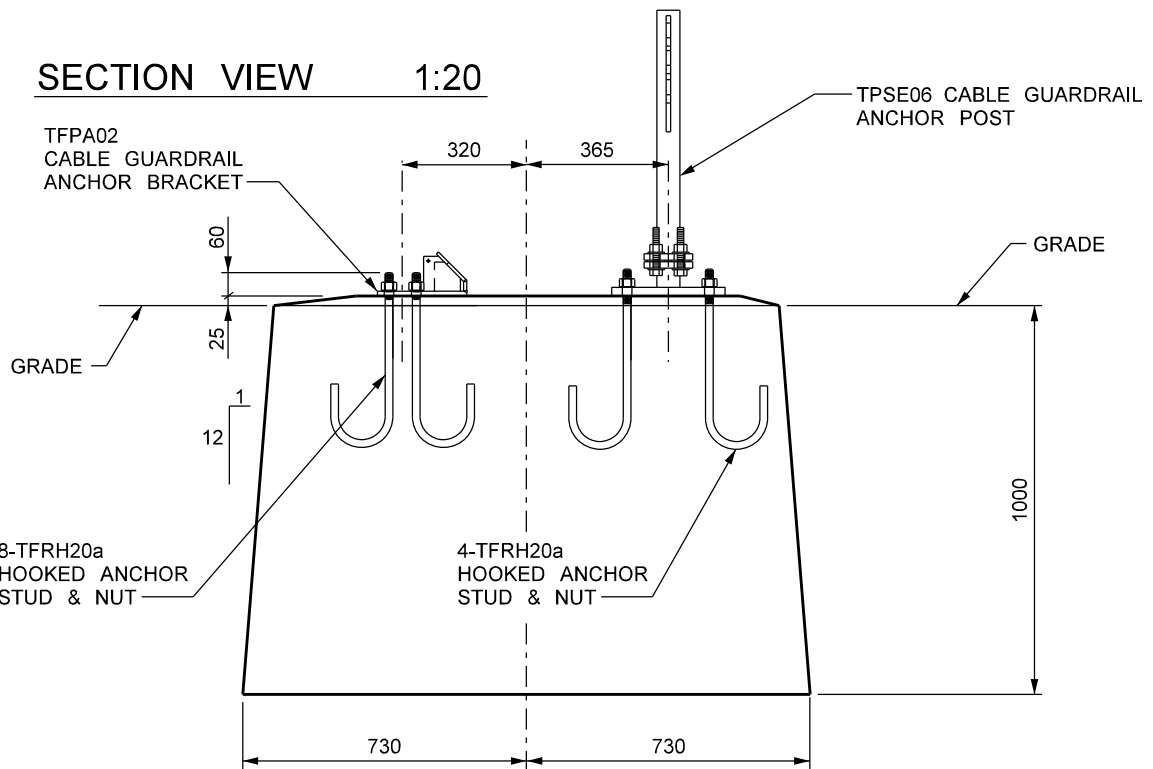


- NOTES: 1. Place anchors so the tops are level; warp slope to fit.
 2. The concrete anchor block does not require reinforcement.
 3. All scales are approximate.
 4. All dimensions are in millimetres.



REVISIONS		
DATE	DESCRIPTION	BY
2011-02	REVISIONS	HPL
2013-12	REVISED TEXT UPDATED POST	HPL

Manitoba 
**Infrastructure and
 Transportation**
 TRAFFIC ENGINEERING



**CABLE GUARDRAIL
 TERMINAL ANCHOR
 ASSEMBLY**

SHEET NO	1 OF 1
DATE:	2013 - 12
DRAWN:	D.C.

TPOF03