

FRONT VIEW 1:1

NOTES:

1. ALL SCALES ARE APPROXIMATE.
2. ALL DIMENSIONS ARE IN MILLIMETERS.
3. THE ORIGINAL SEALED & SIGNED DRAWING IS IN TRAFFIC ENGINEERING.

REVISIONS		
DATE	DESCRIPTION	BY
10-10	REVISIONS	DC

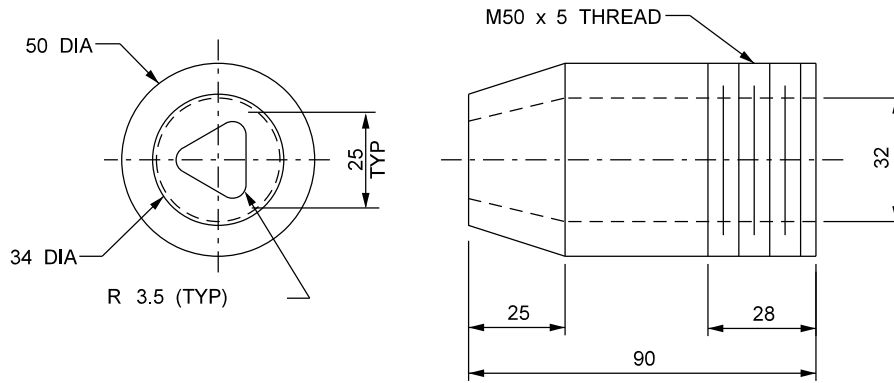
Manitoba 
**Infrastructure and
 Transportation**
 TRAFFIC ENGINEERING



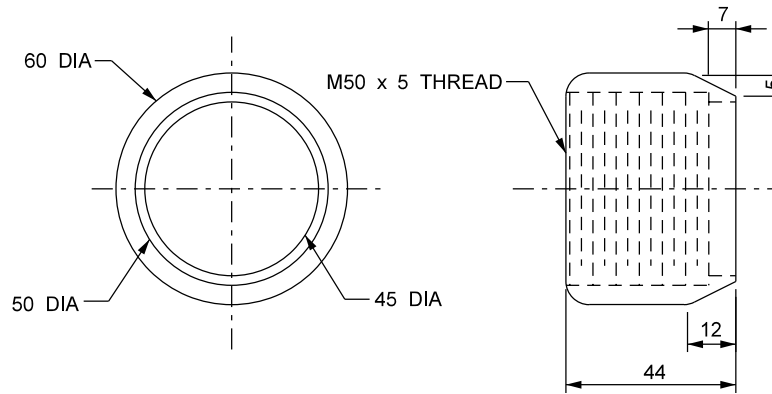
CABLE GUARDRAIL SPLICE

SHEET NO:	1 OF 2
DATE:	2006 - 11
DRAWN:	A.G.

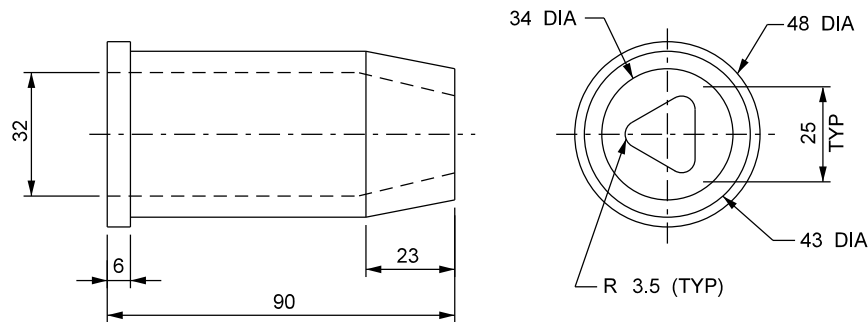
TRCE02



LEFT SIDE PIECE 1:2



CONNECTOR PIECE 1:2



RIGHT SIDE PIECE 1:2

NOTES:

1. ALL SCALES ARE APPROXIMATE.
2. ALL DIMENSIONS ARE IN MILLIMETERS.
3. THE ORIGINAL SEALED & SIGNED DRAWING IS IN TRAFFIC ENGINEERING.

REVISIONS		
DATE	DESCRIPTION	BY
10-10	REVISIONS	DC

Manitoba 
Infrastructure and Transportation
 TRAFFIC ENGINEERING



CABLE GUARDRAIL SPLICE

SHEET NO:	2 OF 2
DATE:	2006 - 11
DRAWN:	A.G.

TRCE02