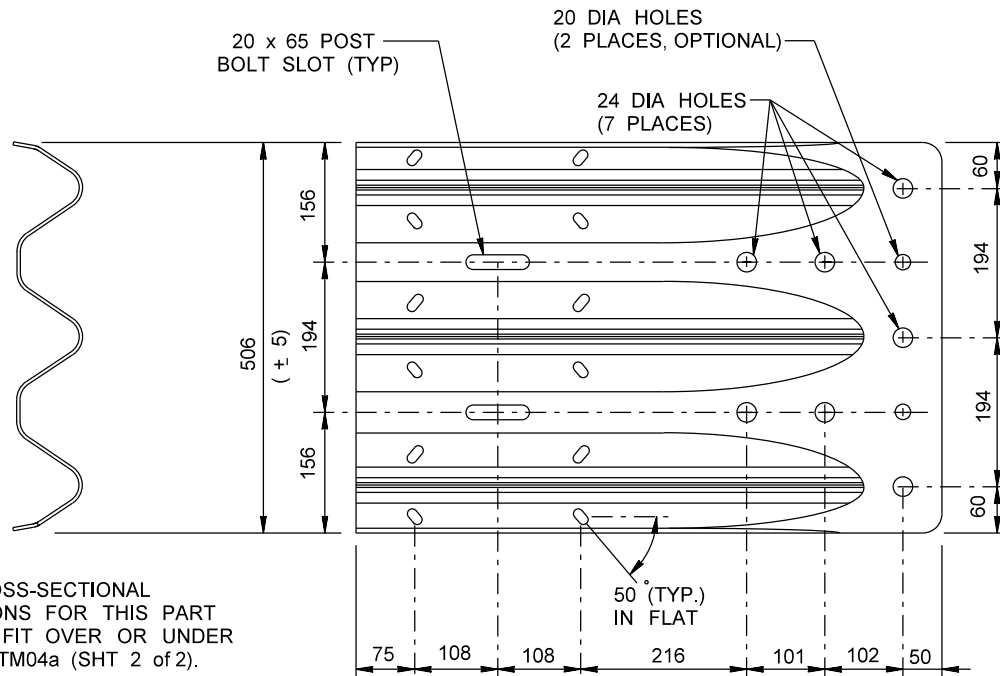


PLAN VIEW 1:10



THE CROSS-SECTIONAL DIMENSIONS FOR THIS PART ARE TO FIT OVER OR UNDER PART TRTM04a (SHT 2 of 2).

SIDE VIEW 1:10

FRONT VIEW 1:10

NOTES:

1. ALL SCALES ARE APPROXIMATE.
2. ALL DIMENSIONS ARE IN MILLIMETERS.
3. THE ORIGINAL SEALED & SIGNED DRAWING IS IN TRAFFIC ENGINEERING.
4. BASE METAL THICKNESS IS 3.43

REVISIONS		
DATE	DESCRIPTION	BY
10-10	REVISIONS	DC

Manitoba 
Infrastructure and Transportation
 TRAFFIC ENGINEERING



THRIE BEAM TERMINAL
CONNECTOR

SHEET NO:	1 OF 1
DATE:	2006 - 11
DRAWN:	A.G.

TRTE01b