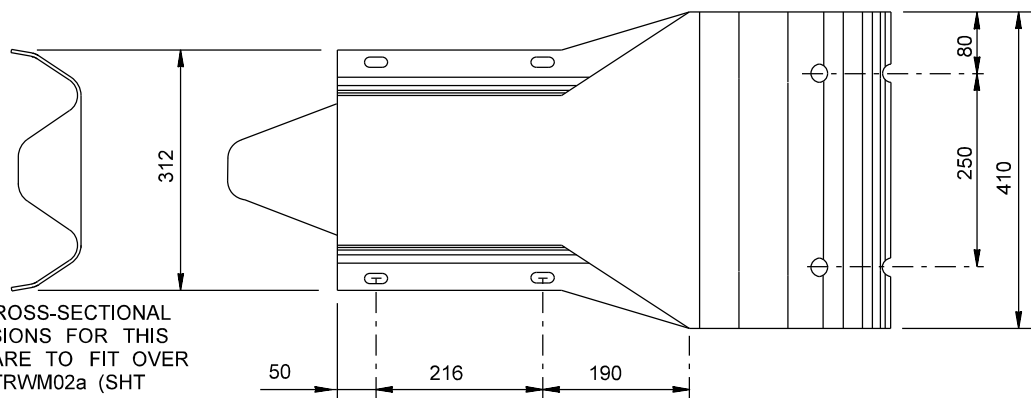
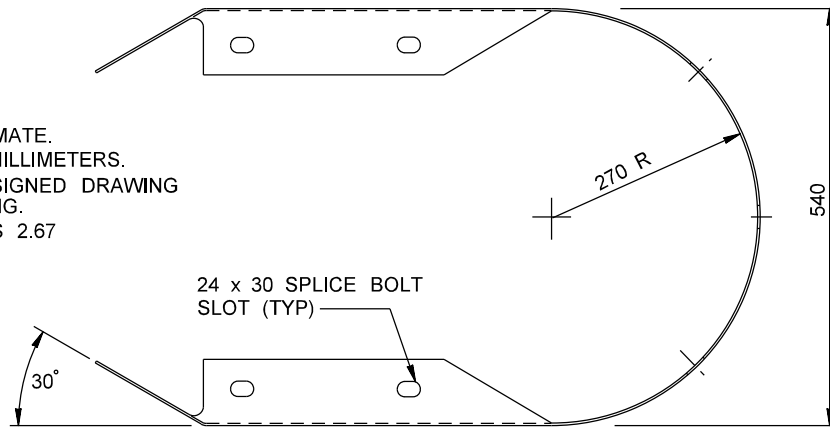


**NOTES:**

1. ALL SCALES ARE APPROXIMATE.
2. ALL DIMENSIONS ARE IN MILLIMETERS.
3. THE ORIGINAL SEALED & SIGNED DRAWING IS IN TRAFFIC ENGINEERING.
4. BASE METAL THICKNESS IS 2.67



**SIDE VIEW 1:10**

**FRONT VIEW 1:10**

REVISIONS		
DATE	DESCRIPTION	BY
10-10	REVISIONS	DC
2014-05	DELETED DIMENSION	HL

**Manitoba**   
**Infrastructure and Transportation**  
 TRAFFIC ENGINEERING



MELT  
 BUFFERED END  
 SECTION

SHEET NO:	1 OF 1
DATE:	2006 - 11
DRAWN:	A.G.

**TRWE04a**