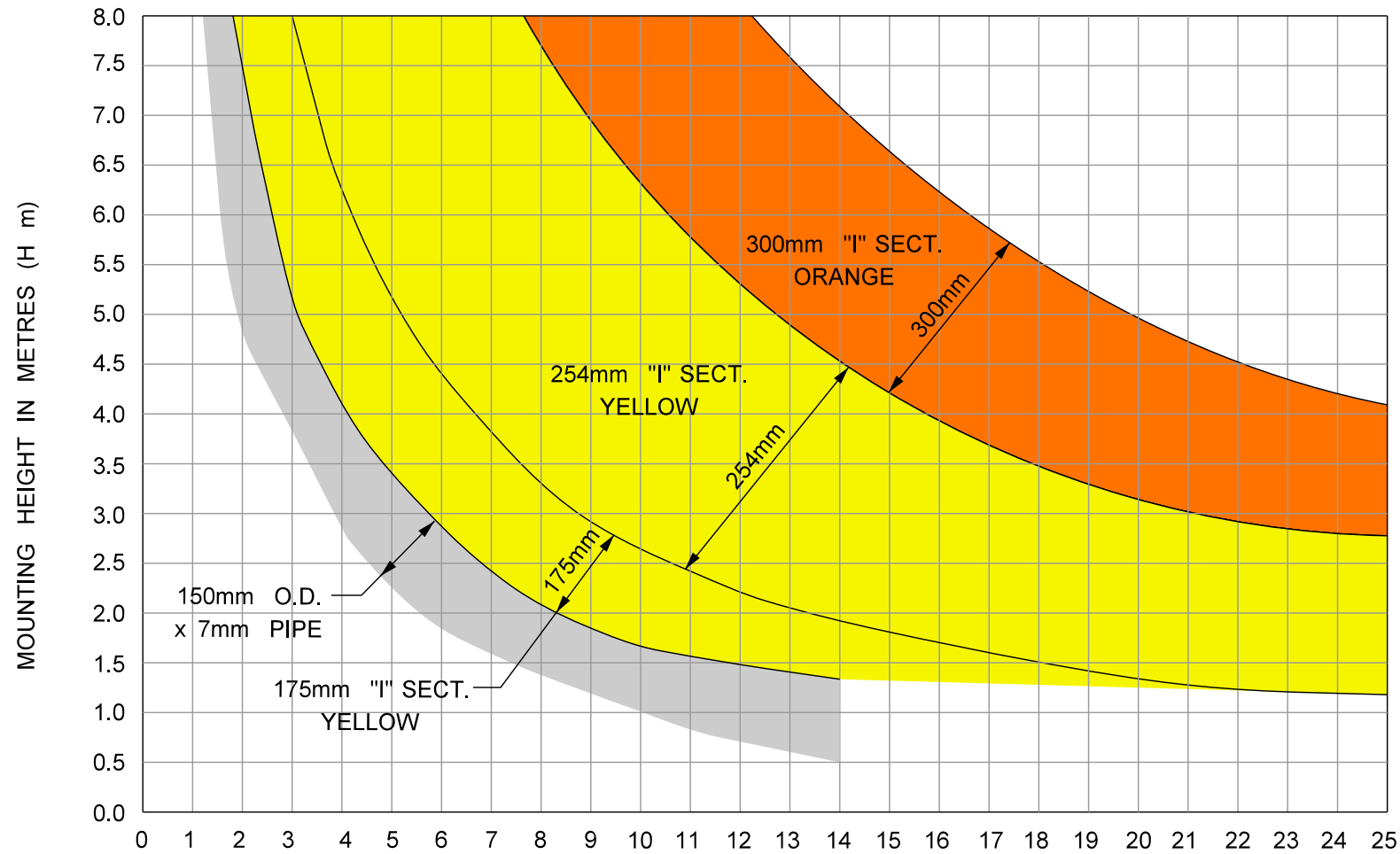


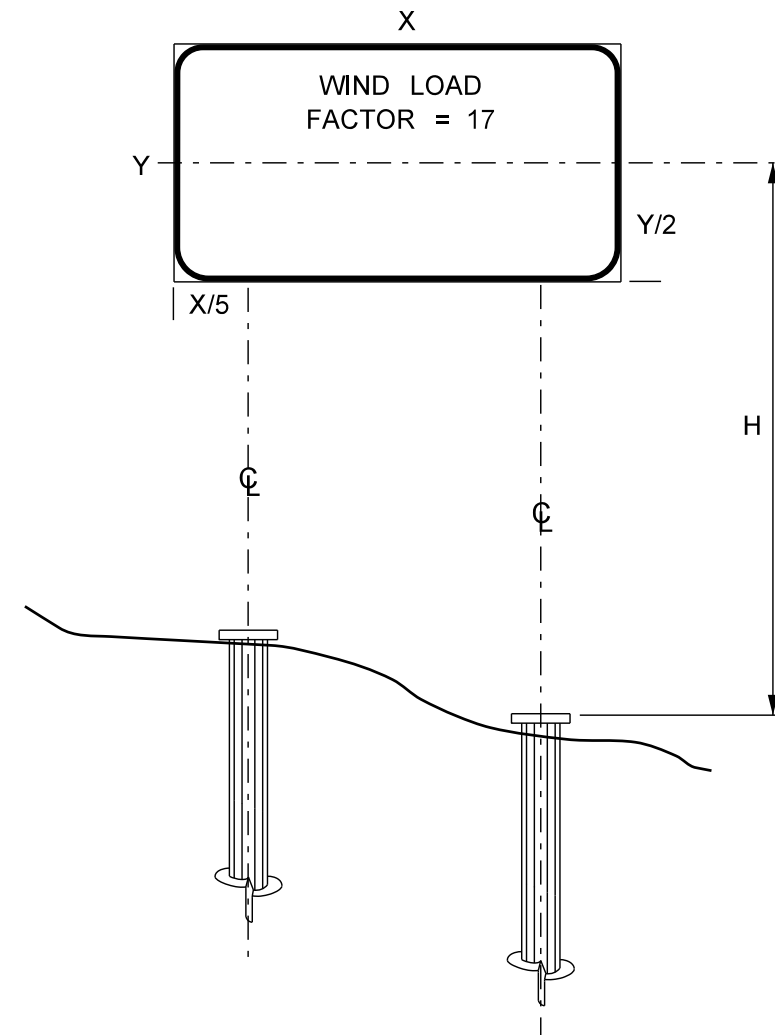
WIND SPEED  
V = 130 km/h



SIGN AREA IN METRES SQUARED (A m<sup>2</sup>)

NOTE: 0.66 x AREA FOR 3 POSTS

ANCHOR SIZE	COLOR CODE	ANCHOR TYPE FACTOR	POST TYPE
200mm $\varnothing$ x 2100mm	GREEN	410	150mm $\varnothing$
250mm $\varnothing$ x 2100mm	YELLOW	680	178mm I-BEAM
250mm $\varnothing$ x 2100mm	YELLOW	680	254mm I-BEAM
250mm $\varnothing$ x 2100mm	ORANGE	680	305mm I-BEAM



**NOTES:**

1. DETERMINE THE GROUND LINE BENDING MOMENT IMPOSED BY THE SIGN AT THE TOP OF THE FOUNDATION ANCHOR:  
BM = 17 (X) (Y) (H)
2. DIVIDE 'BM' BY THE 'ANCHOR TYPE FACTOR' TO DETERMINE THE QUANTITY OF ANCHORS REQUIRED:  
 $Q = (17 (5.2) (2.745) (5.3)) / 680$   
 $Q = 1.9$  OR 2 POSTS
3. THIS DRAWING WAS REPRODUCED FROM TRAFFIC ENGINEERING POLICY/STANDARD 130-C-4 (1985-07-02), WHICH WAS CONVERTED AND CREATED (1985-06-20) FROM FORMULAS AND DATA SUPPLIED BY A.B. CHANCE, THE SUPPLIER ON THE INITIAL STOCK OF SCREW ANCHORS.

REVISIONS	DATE	DESCRIPTION	BY

**Manitoba**  
Infrastructure and  
Transportation  
TRAFFIC ENGINEERING

CHART FOR EMBEDMENT SELECTION  
OF SCREW ANCHOR FOUNDATIONS

APPROVED BY: \_\_\_\_\_

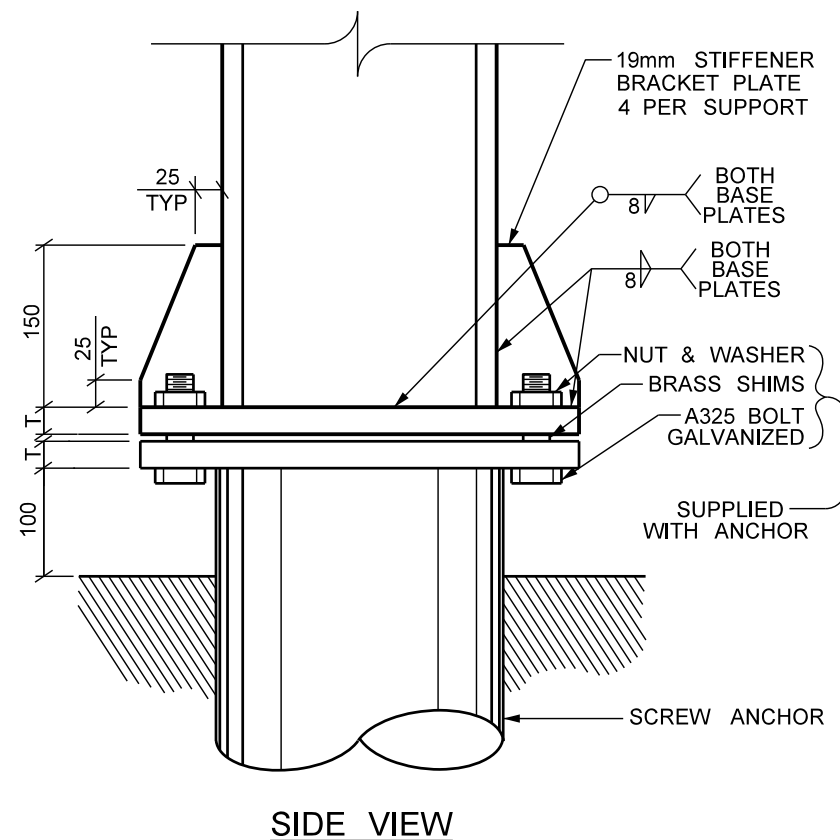
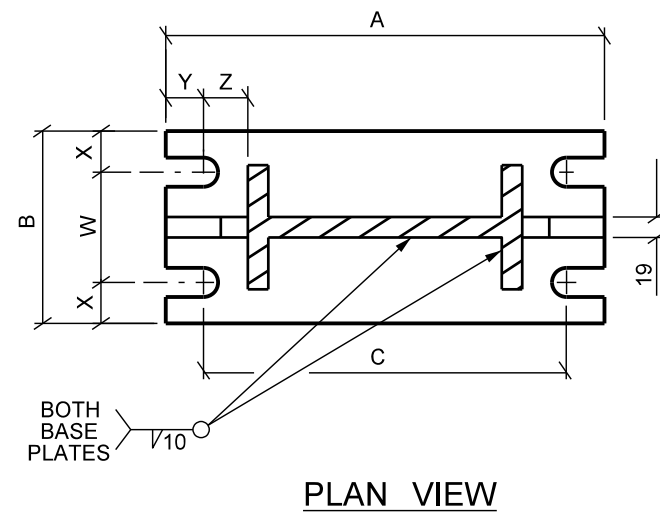
SHEET: 1 OF 3  
DATE: 12-06  
PREP. BY: DGC

TO-048

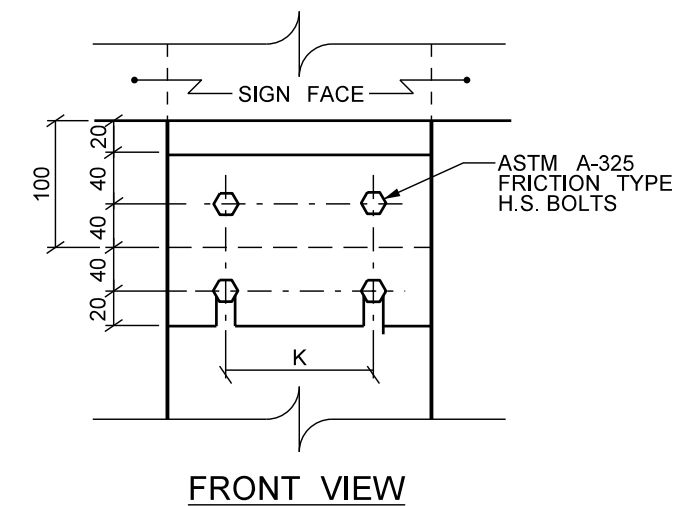
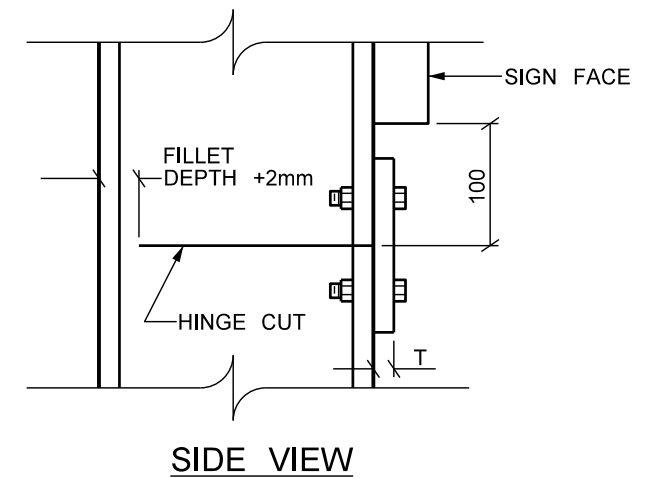
Aluminum Post Foundation Data

Post Size (mm)	Screw Anchor Colour Code	Hole Diameter (mm)	Bolt Diameter (mm)	Bolt Length (mm)	Bolt Torque (Nxm)	Baseplate Data							
						T (mm)	W (mm)	X (mm)	Y (mm)	Z (mm)	A (mm)	B (mm)	C (mm)
178	*White	21	19	90	500	25	89	32	29	35	305	152	
178	Yellow	27	25	90	1200	25	102	38	35	79	406	178	336
254	Yellow	27	25	90	1200	25	102	38	35	41	406	178	336
305	Orange	30	29	90	1500	25	115	44	41	48	483	203	401

\*Not in production



NOTE:  
Aluminum shall conform to A.S.T.M. specification 6351-T6. (welded members)



Aluminum Post Hinge Data

Post Size (mm)	Hole Diameter (mm)	Bolt Diameter (mm)	Bolt Torque (Nxm)	Hinge Data	
				T (mm)	K (mm)
178	18	16	285	10	50
254	18	16	285	10	65
305	22	20	500	11	75

REVISIONS	DATE	DESCRIPTION	BY	DC
	11-2008	"C" DIMENSION ADDED		

**Manitoba**  
Infrastructure and  
Transportation  
TRAFFIC ENGINEERING

CHART FOR EMBEDMENT SELECTION  
OF SCREW ANCHOR FOUNDATIONS

APPROVED BY: \_\_\_\_\_

SHEET: 2 OF 3  
DATE: 12-06  
PREP.BY: DGC

TO-048

