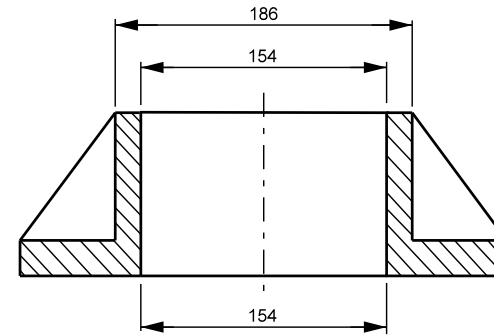
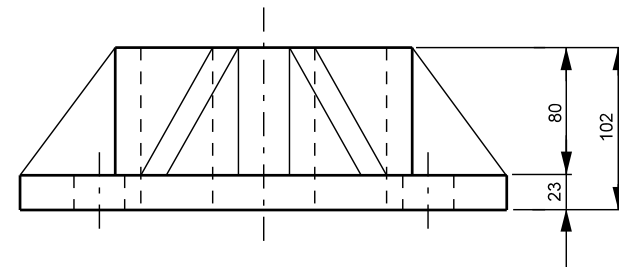


TOP VIEW



SECTION 'A-A'



PLAN VIEW

NOTES

1. Cast baseplates from aluminum allow A356 t6 (heat treated)
2. Chamfer all bolt holes (top and bottom).
3. Minimum gusset ribs of 16mm.
4. Minimum base thickness of 23mm.
5. Minimum base thickness of 23mm.
6. Minimum 16mm thick flange.

DATE	DESCRIPTION	BY
10-2007	REVISED	DC
08-2008	REVISED	DC
10-2016	NOTE 3 REVISED	DC
12-2016	DETAILS ADDED	LB



CAST ALUMINUM BASE PLATE
FOR 152mm Ø POST

ORIGINAL
APPROVED BY: _____

SCALE:	N.T.S.
DATE:	MAY 98
PREP.BY:	LMK
SHEET:	1 OF 1

TE-230D