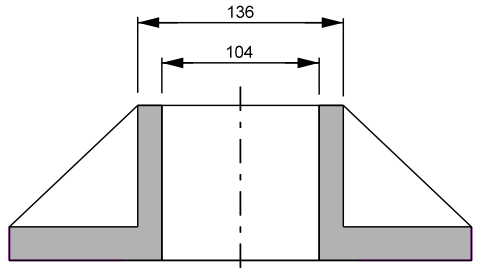
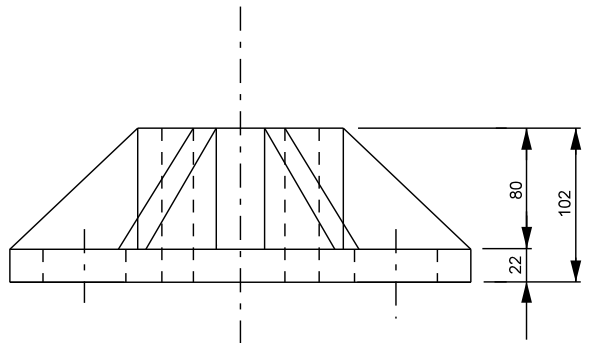


TOP VIEW



SECTION 'A-A'



PLAN VIEW

NOTES:

1. CAST BASEPLATES FROM ALUMINUM ALLOY 135 T6.
2. ROUND ALL CORNERS.
3. WELD MACHINE ALL CORNERS.
4. MINIMUM CUSSET RIBS OF 13mm.
5. MINIMUM BASE THICKNESS OF 22mm.
6. MINIMUM 13mm THICK FLANGE.

REVISIONS	DATE	DESCRIPTION	BY



CAST ALUMINUM BASE PLATE FOR 102mm Ø
POST w/ SLOTTED HOLES (RRFB POLE)

ORIGINAL
APPROVED BY: _____

SCALE:	N.T.S.
DATE:	APR 2019
PREP. BY:	LB
SHEET:	1 OF 1
TE-230J	