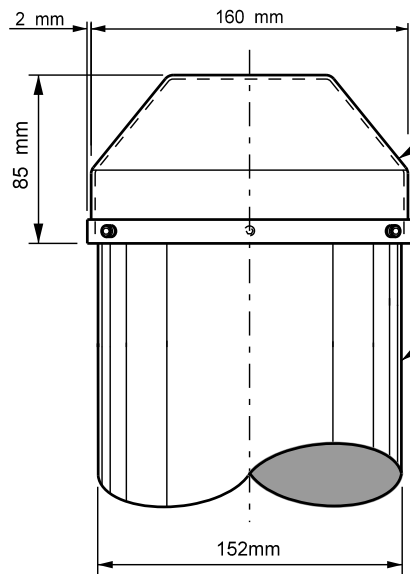
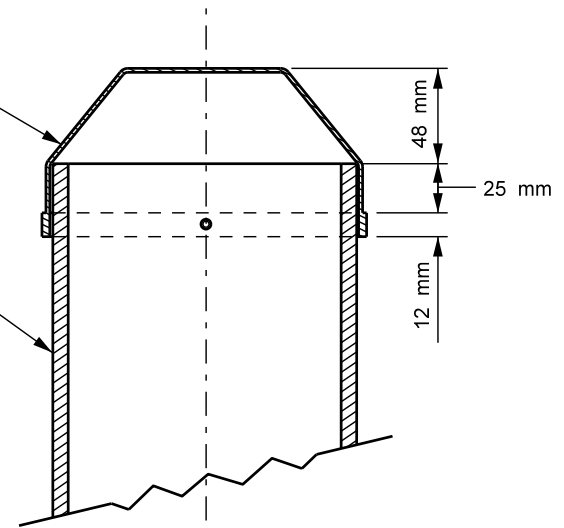


DETAIL "B"
SCREW DETAIL



SPUN ALUMINUM CAP - 16 GA.

ALUMINUM TUBE



SECTION "A-A"

REVISIONS	DATE	DESCRIPTION	BY
1108	RENUMBERED	DGC	



SPUN ALUMINUM POST CAP

ORIGINAL
APPROVED BY: _____

SCALE:	N.T.S.
DATE:	05 2008
PREP. BY:	DGC

TE-045F