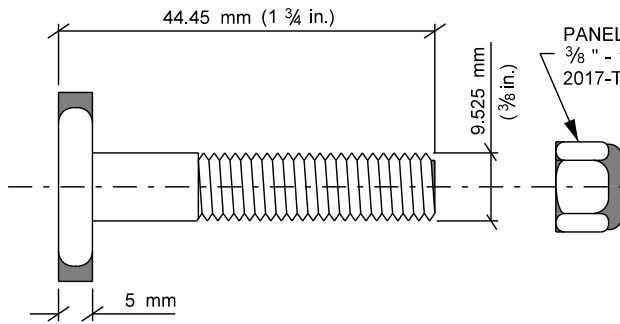
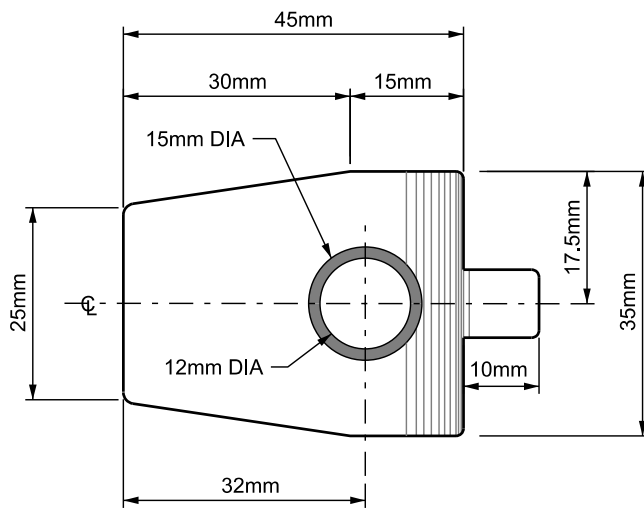


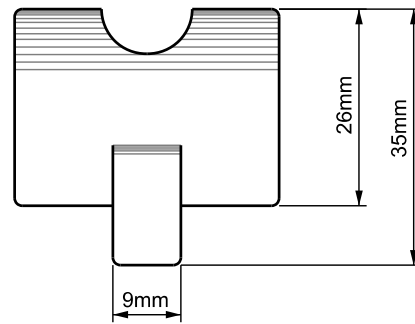
PLAN VIEW
POST CLIP BOLT



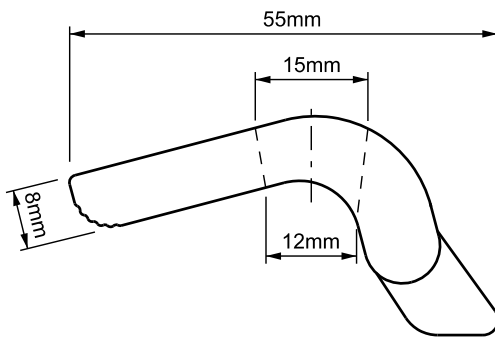
SIDE VIEW
POST CLIP BOLT



POST CLIP
PLAN



POST CLIP
END



POST CLIP
ELEVATION

NOTE: ALUMINUM ALLOY 6356T

| REVISIONS | DATE | DESCRIPTION | BY |
|-----------|------|--|-----|
| | | 2010/09 REDRAWN | DGC |
| | | 2010/04 ALUMINUM REFERENCES LB REMOVED | |
| | | | |
| | | | |



POST CLIP AND BOLT
DETAILS

ORIGINAL
APPROVED BY: _____

| | |
|-----------|---------|
| SCALE: | N.T.S. |
| DATE: | 02-2003 |
| PREP. BY: | DGC |

TE-045i