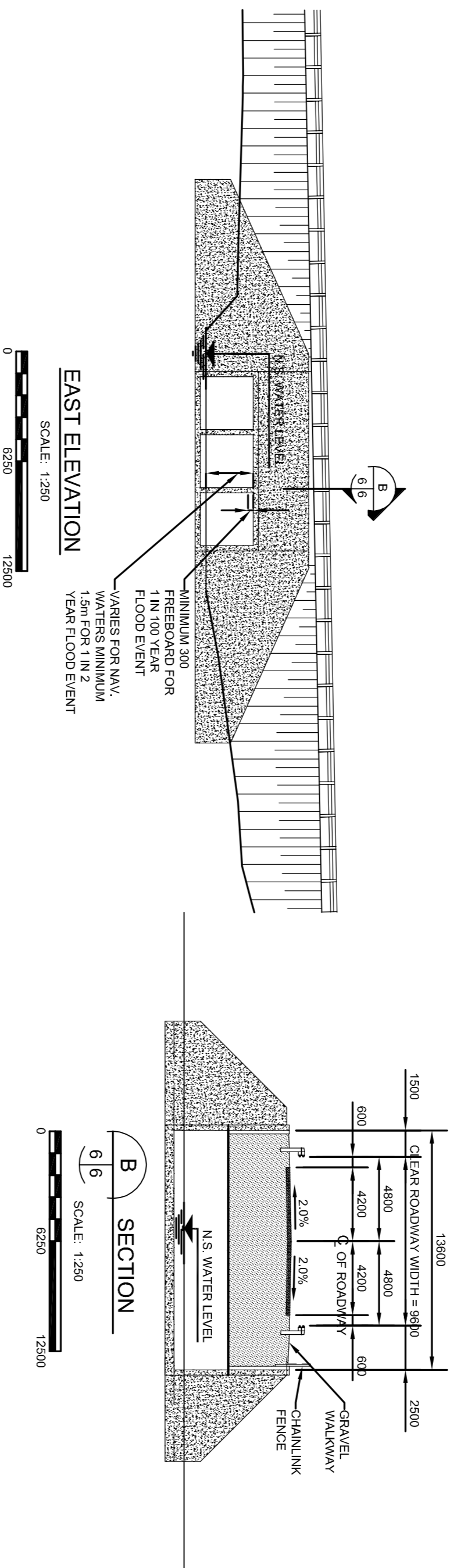
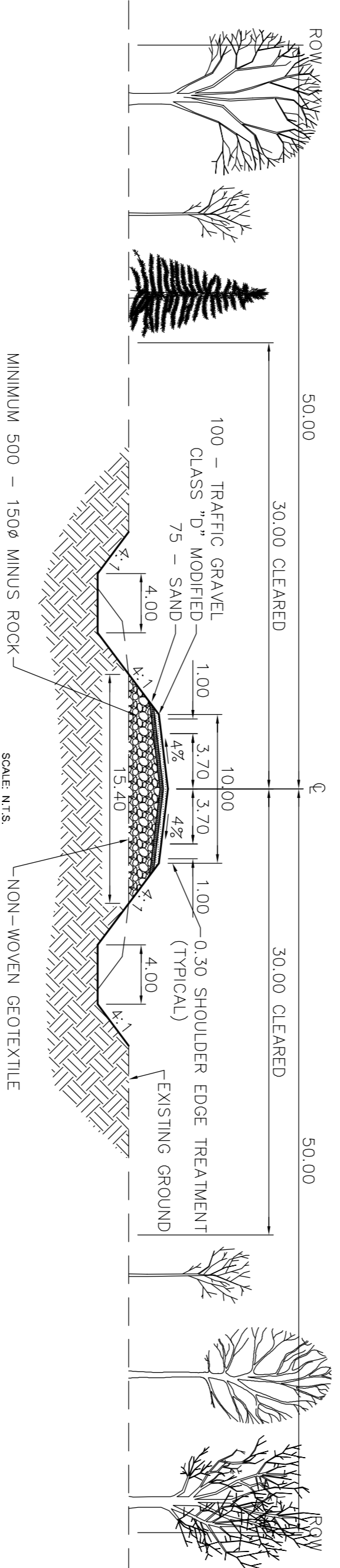


EAST ELEVATION
SCALE: 1:250

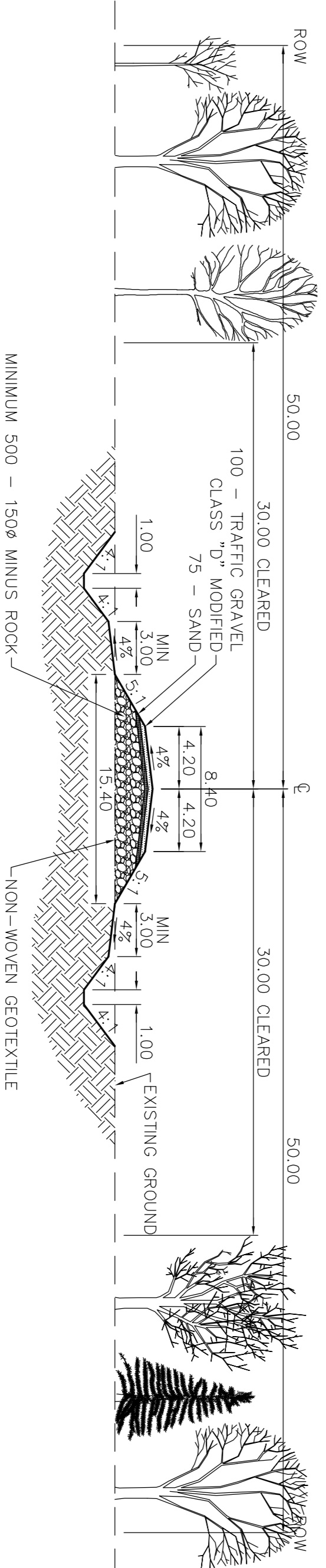
CORRUGATED STEEL PIPE (CSP) CROSSING



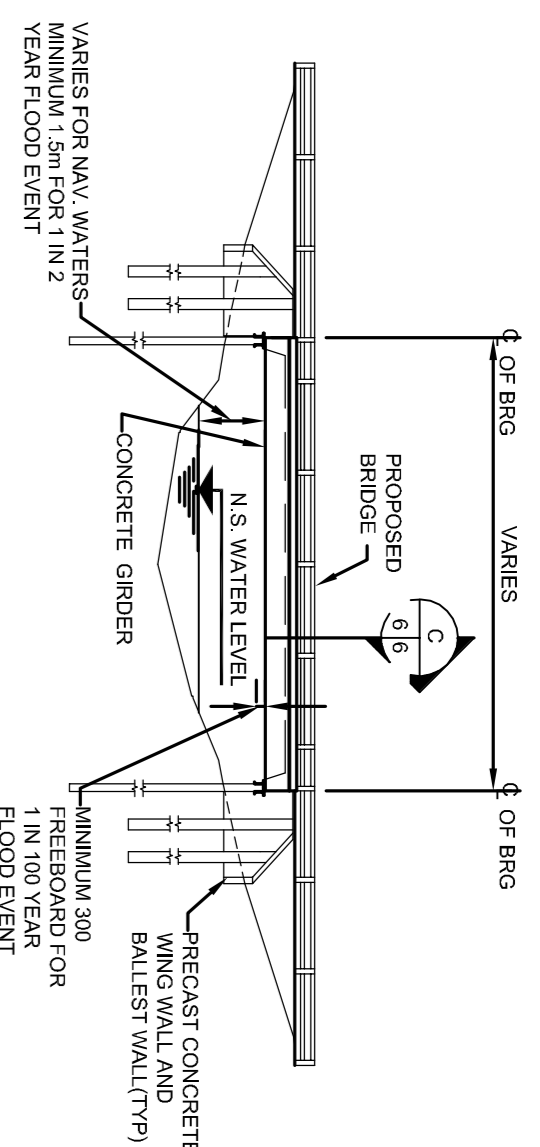
PROPOSED BOX CULVERT



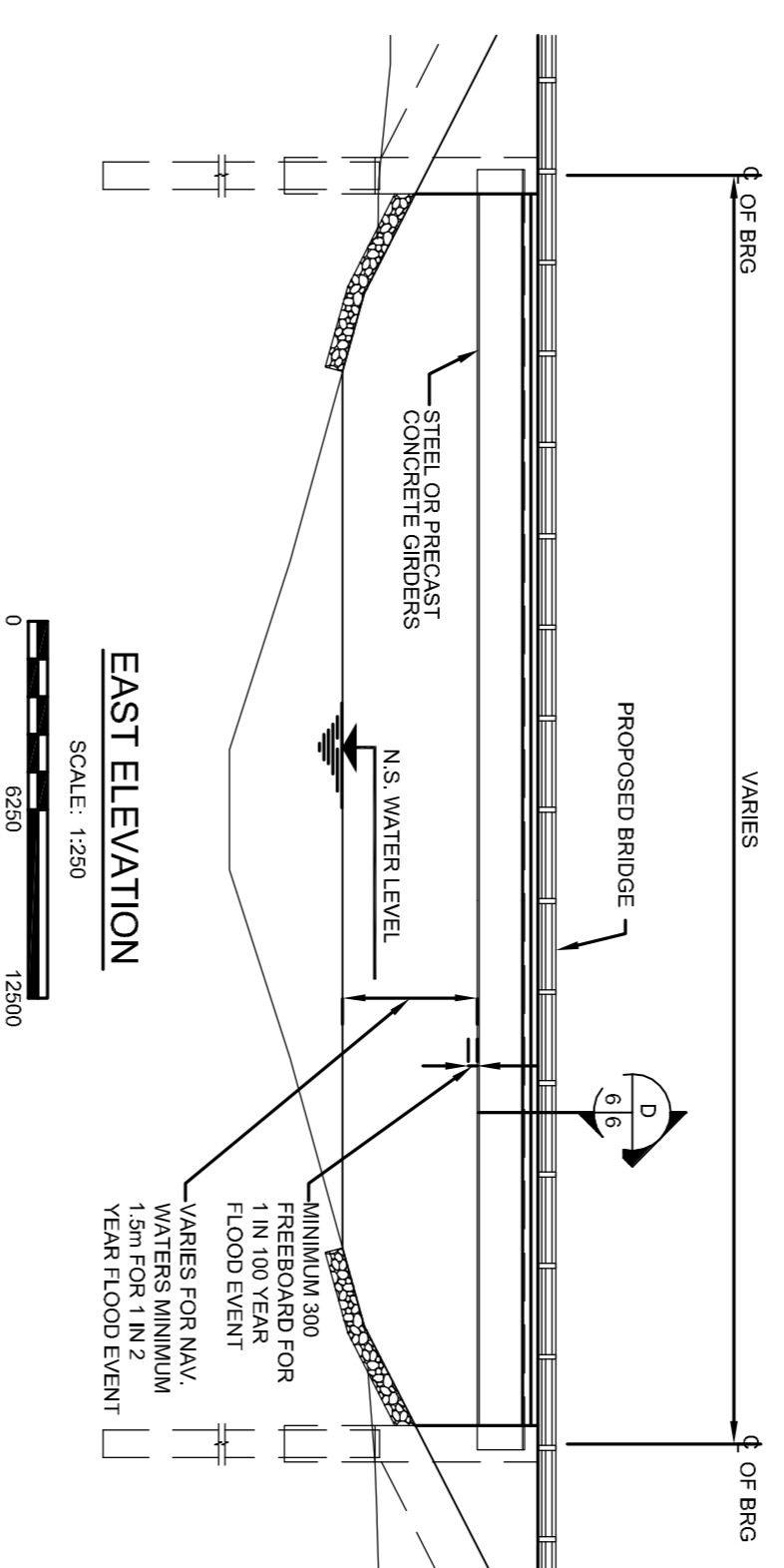
ALL WEATHER ROAD SECTION



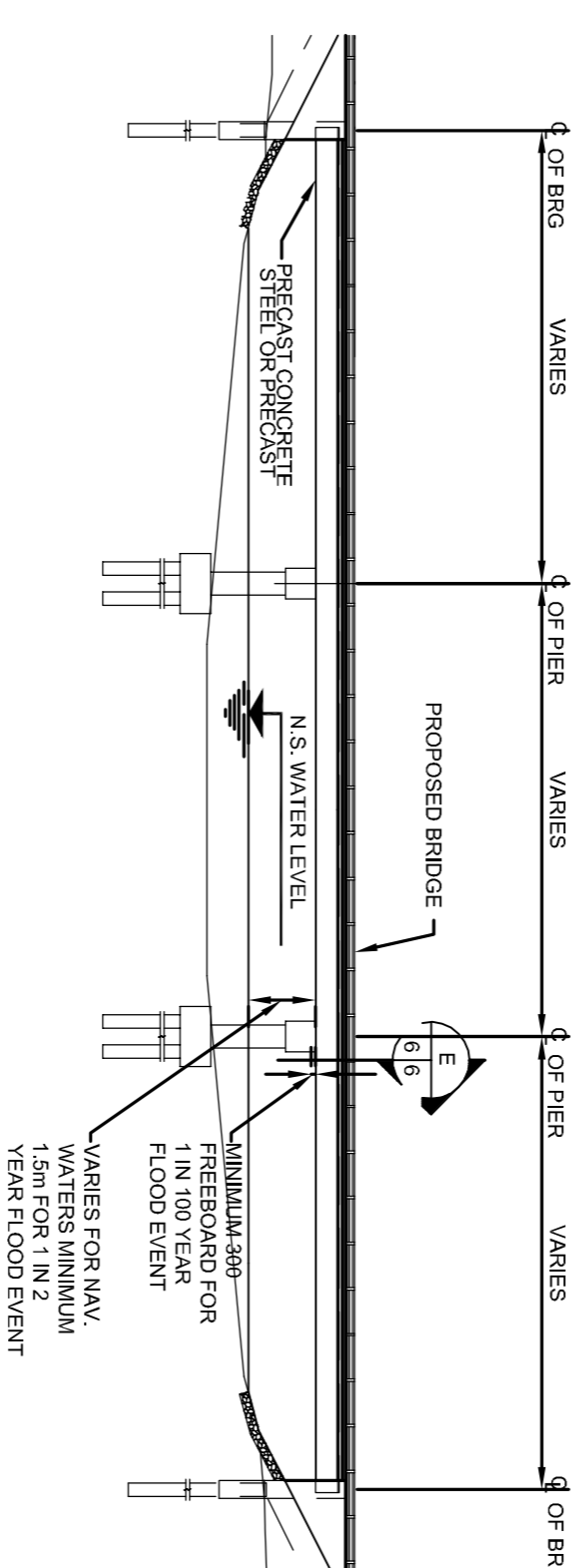
COMMUNITY ACCESS ROAD SECTION



PROPOSED SINGLESPAN (<15m) STRUCTURE



PROPOSED SINGLESPAN (>15m) STRUCTURE



PROPOSED MULTISPAN STRUCTURE

FOR REFERENCE PURPOSES ONLY

no.	yr-mm-dd	revision
1	09-07-16	QUARRY SITES ADDED
2	09-07-17	CROSSINGS IDENTIFIED
3	09-07-27	REVISED ALIGNMENT
4	07-08-12	REVISED ALIGNMENT
5	09-08-13	GENERAL REVISIONS
6	09-08-20	GENERAL REVISIONS
7	09-09-21	REVISED ALIGNMENT

no.	yr-mm-dd	revision
1	09-07-16	QUARRY SITES ADDED
2	09-07-17	CROSSINGS IDENTIFIED
3	09-07-27	REVISED ALIGNMENT
4	07-08-12	REVISED ALIGNMENT
5	09-08-13	GENERAL REVISIONS
6	09-08-20	GENERAL REVISIONS
7	09-09-21	REVISED ALIGNMENT

DESIGNED	RC	SCALE	AS SHOWN
DRAWN	RC	PROJECT NO.	112041
CHECKED	TGS	DRAWING NO.	RT06
APPROVED	JRM	REV.	7